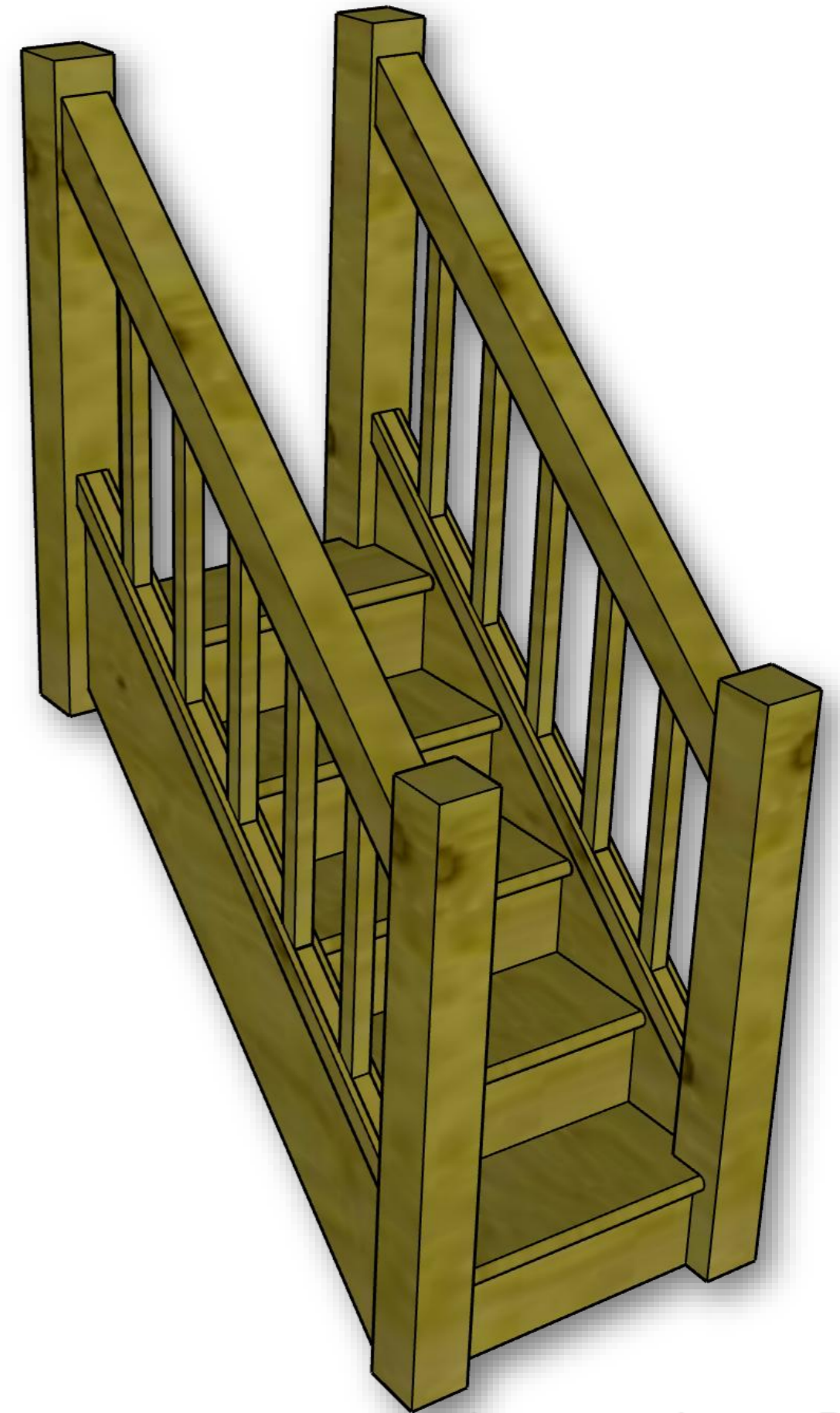


Unit 208: Task 3.

Fix a Straight Flight of Stairs.

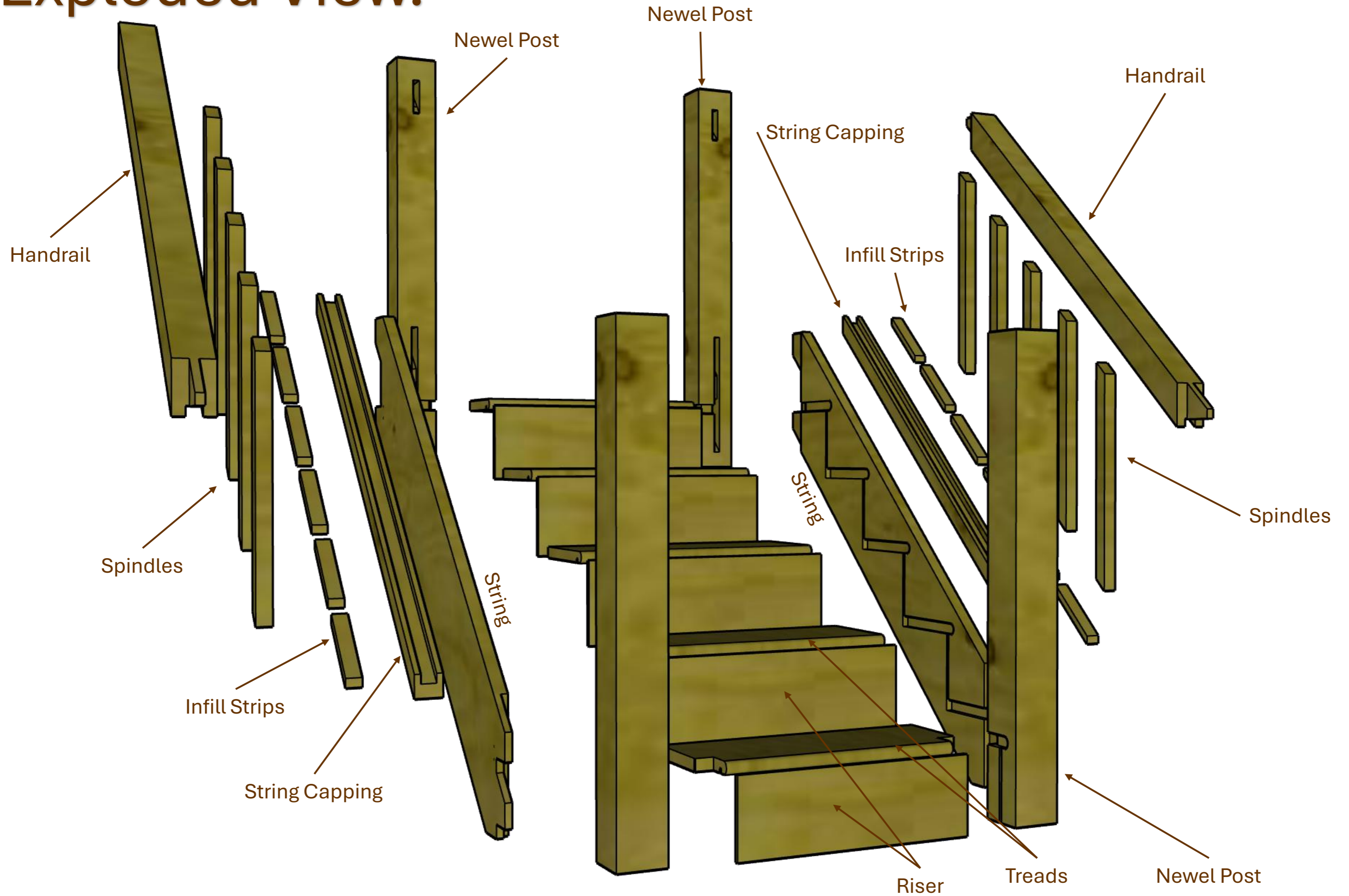
Assembly Instructions.



LCB

Lecturer: James Rix

Exploded View.

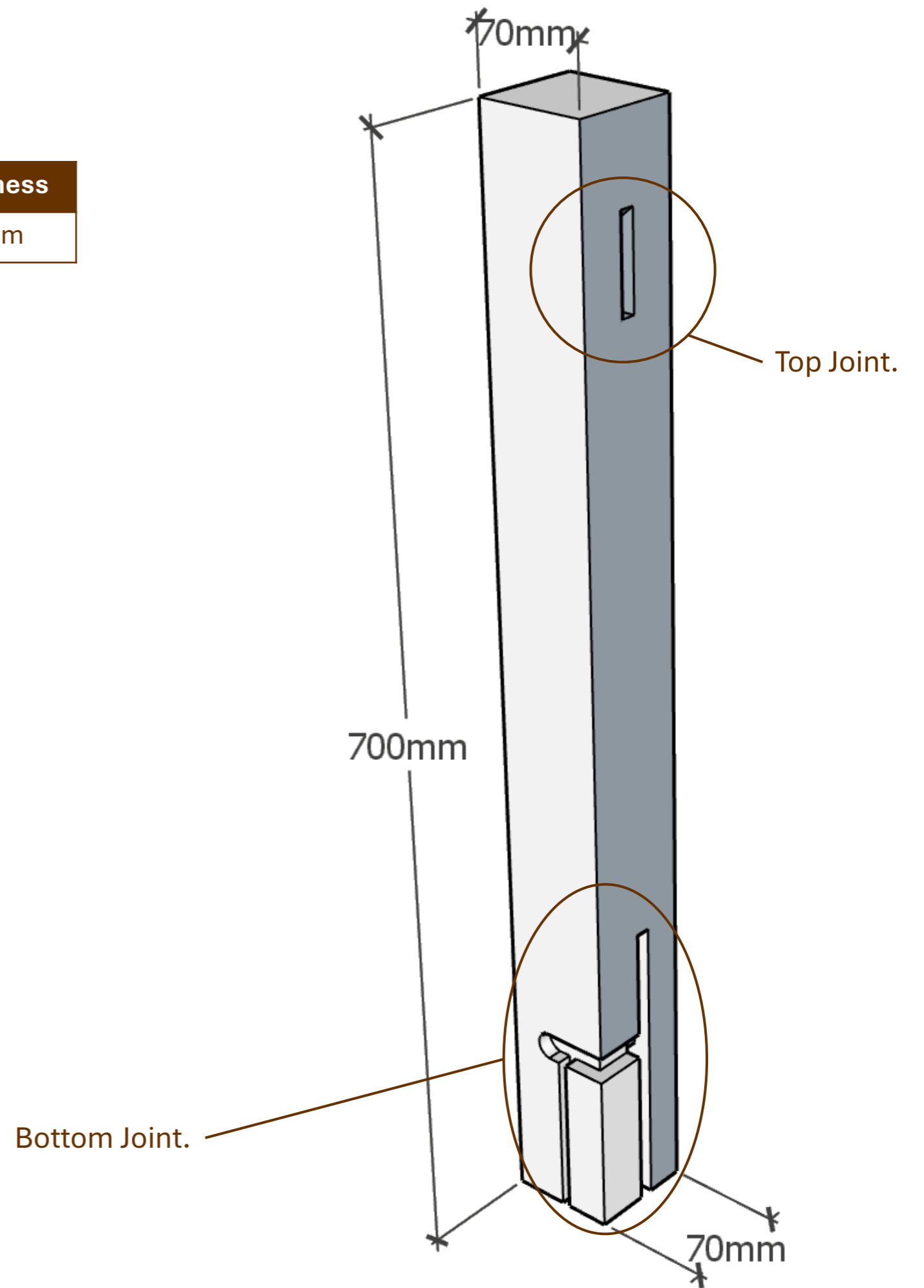


Cutting List.

Component	Length	Width	Thick	Qty
Newel Post	700	70	70	4
Stringer	1035	170	20	2
String Capping	866	39	25	2
Infill Strip	125	22	10	24
Spindle	389	22	22	10
Handrail	960	55	55	2
Riser	400	131	6	5
Treads	400	156	18mm	5

Bottom Newel Post.

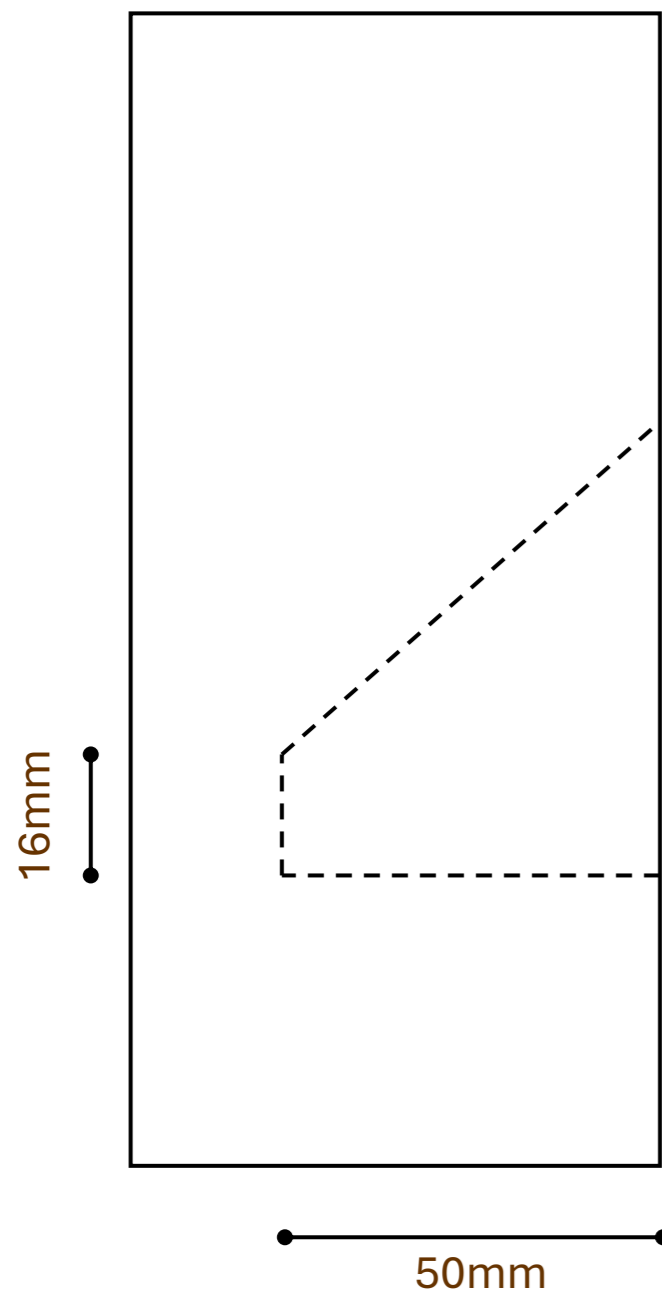
Component	Length	Width	Thickness
Newel Post	700mm	70mm	70mm



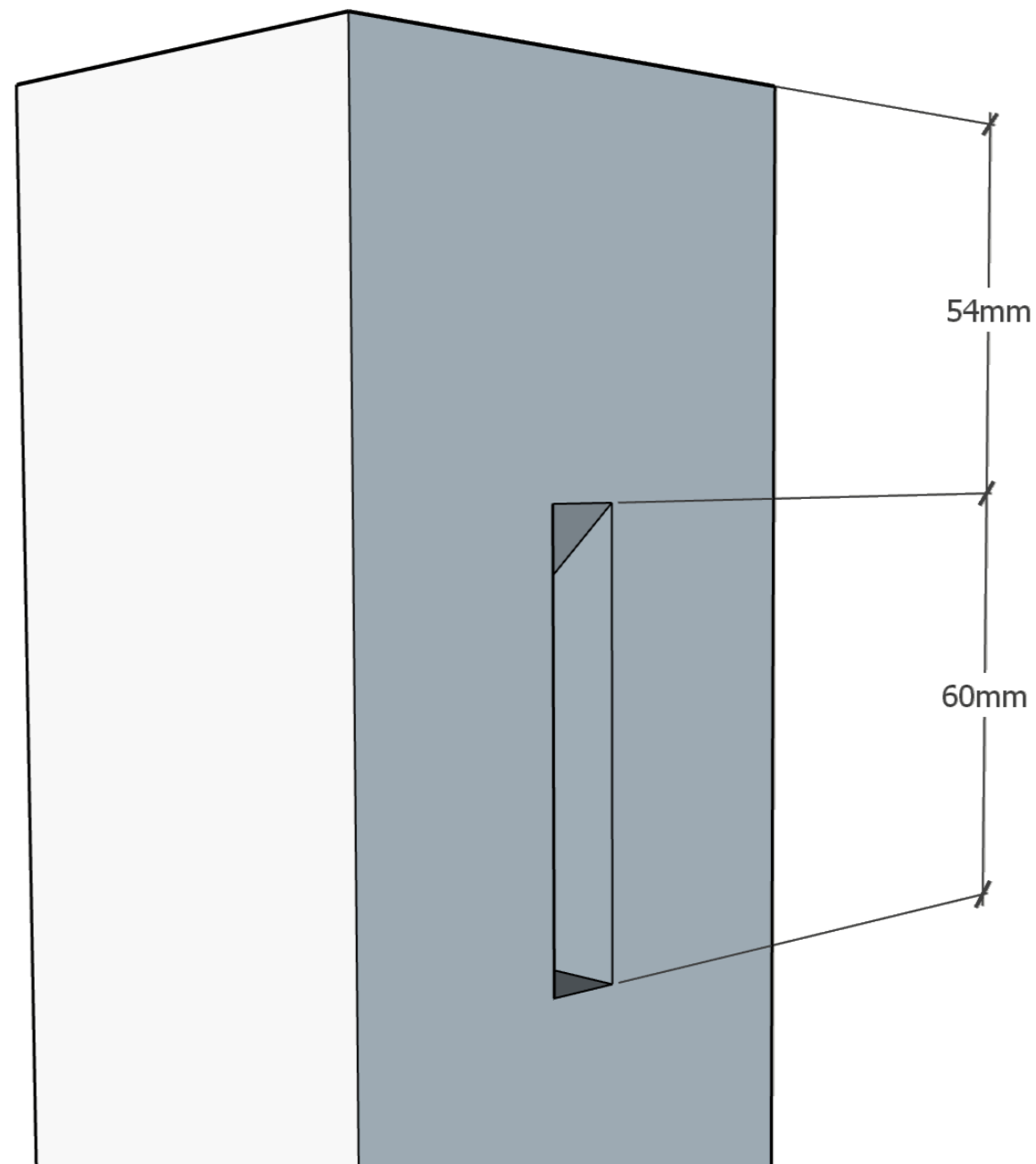
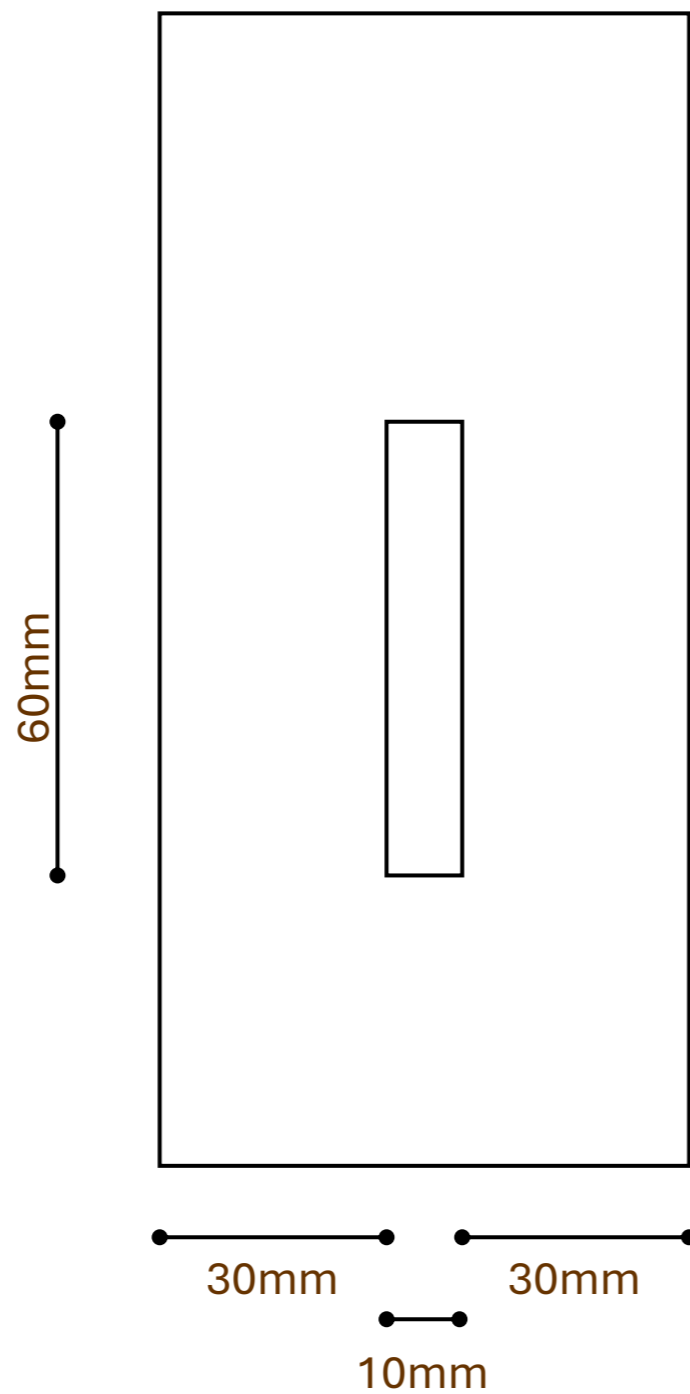
This newel is the bottom left side newel, reverse the design for the right side.

Bottom Newel Post: Top Joint Details.

Side Elevation.

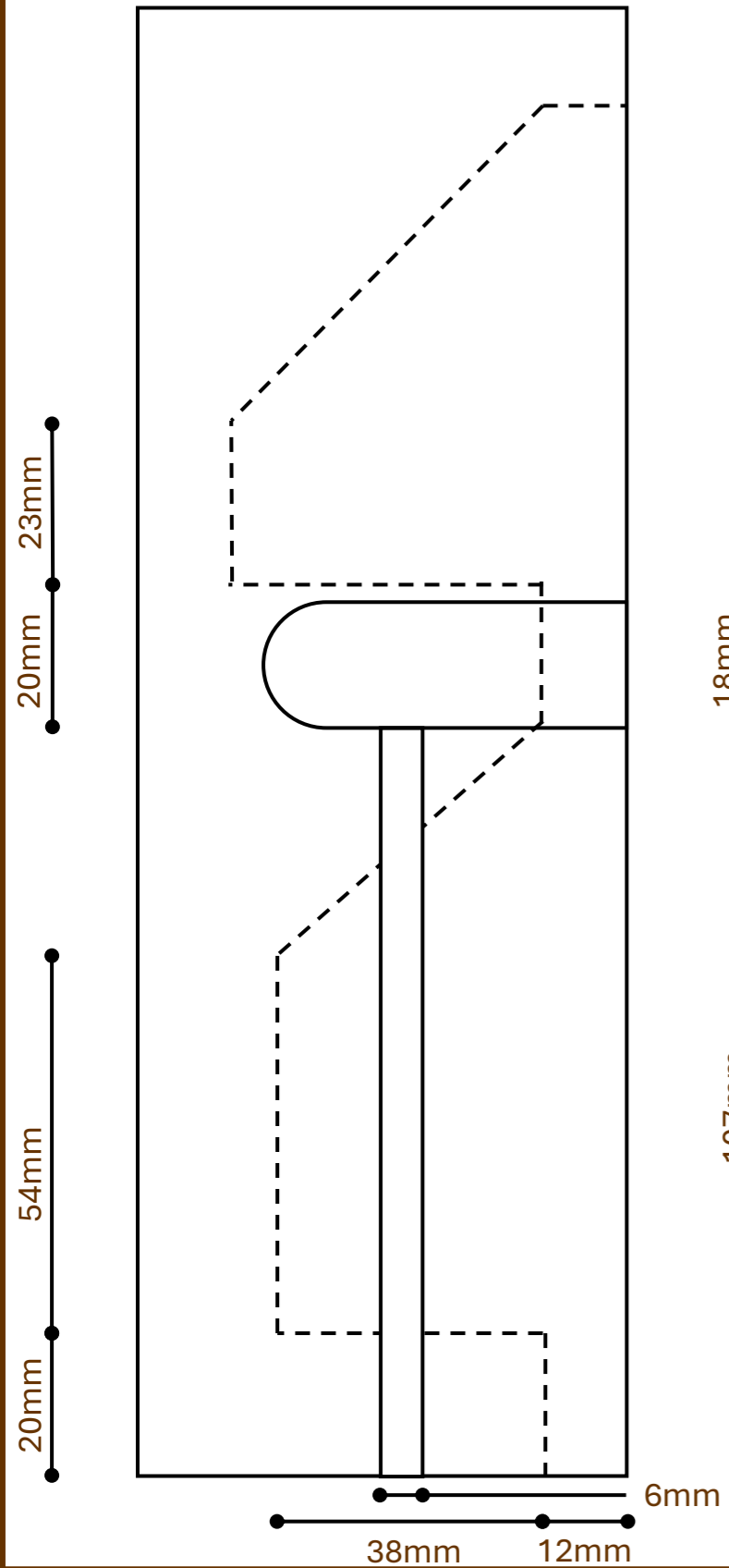


Front Elevation.

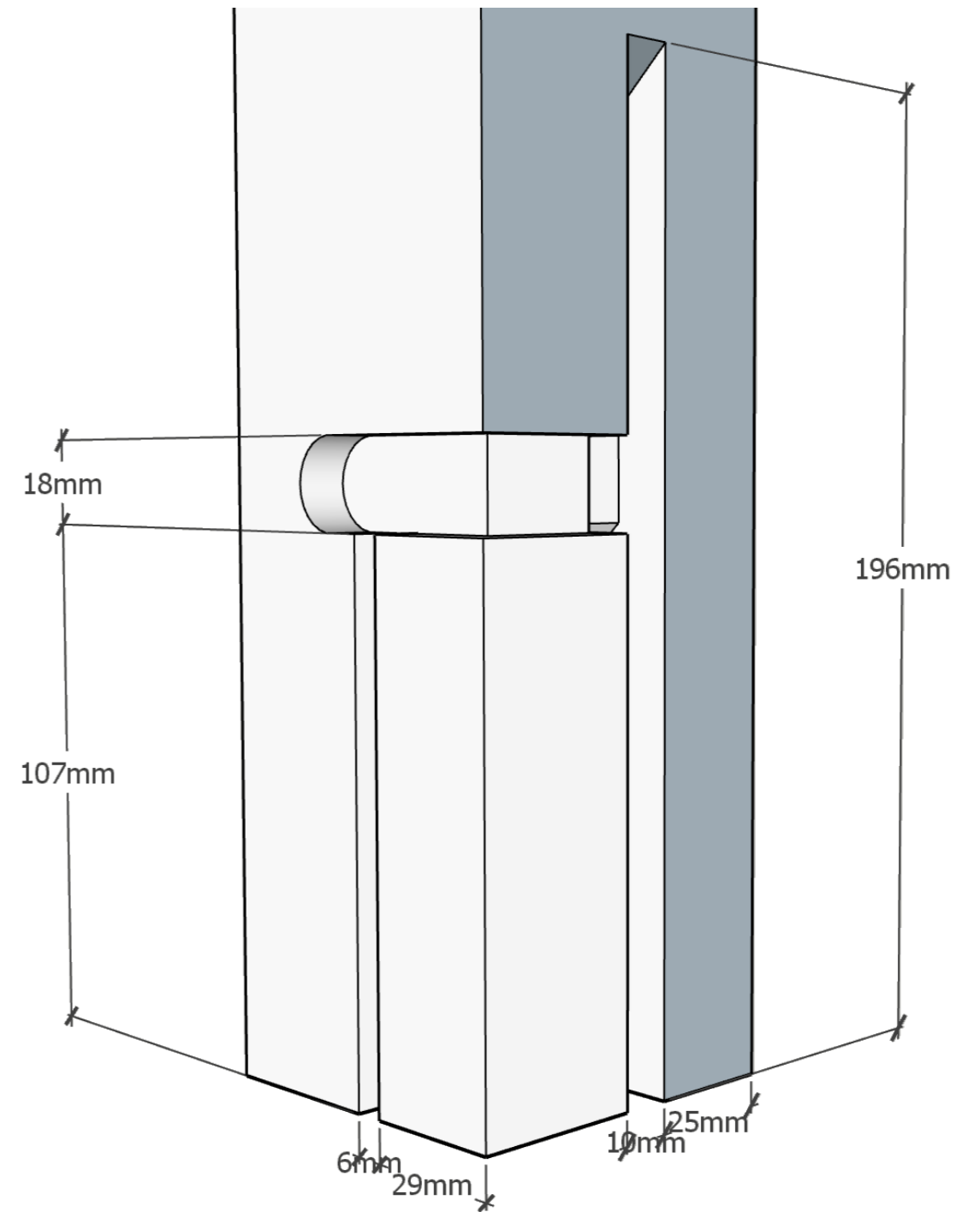
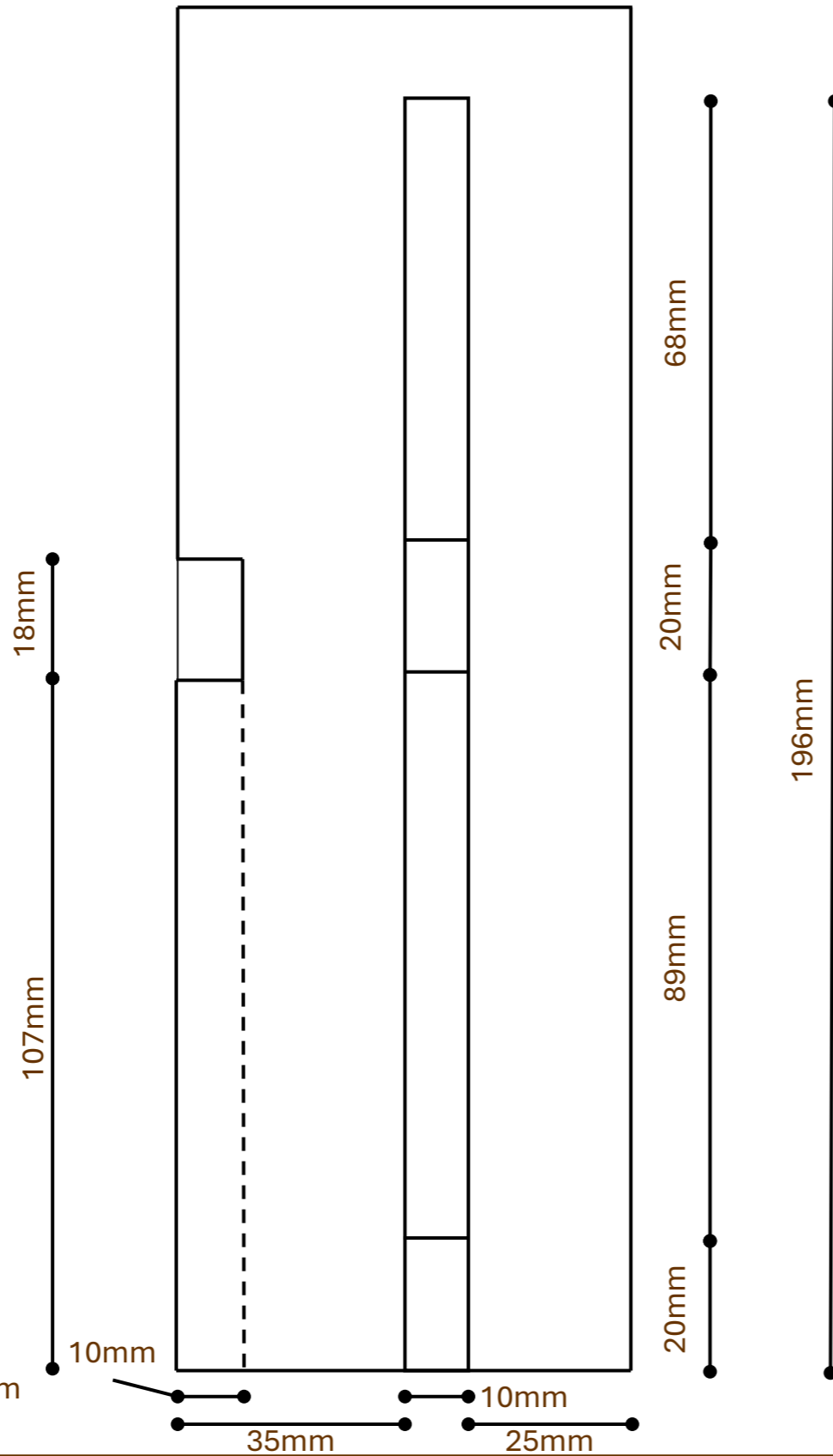


Bottom Newel Post: Base Joint Details.

Side Elevation.

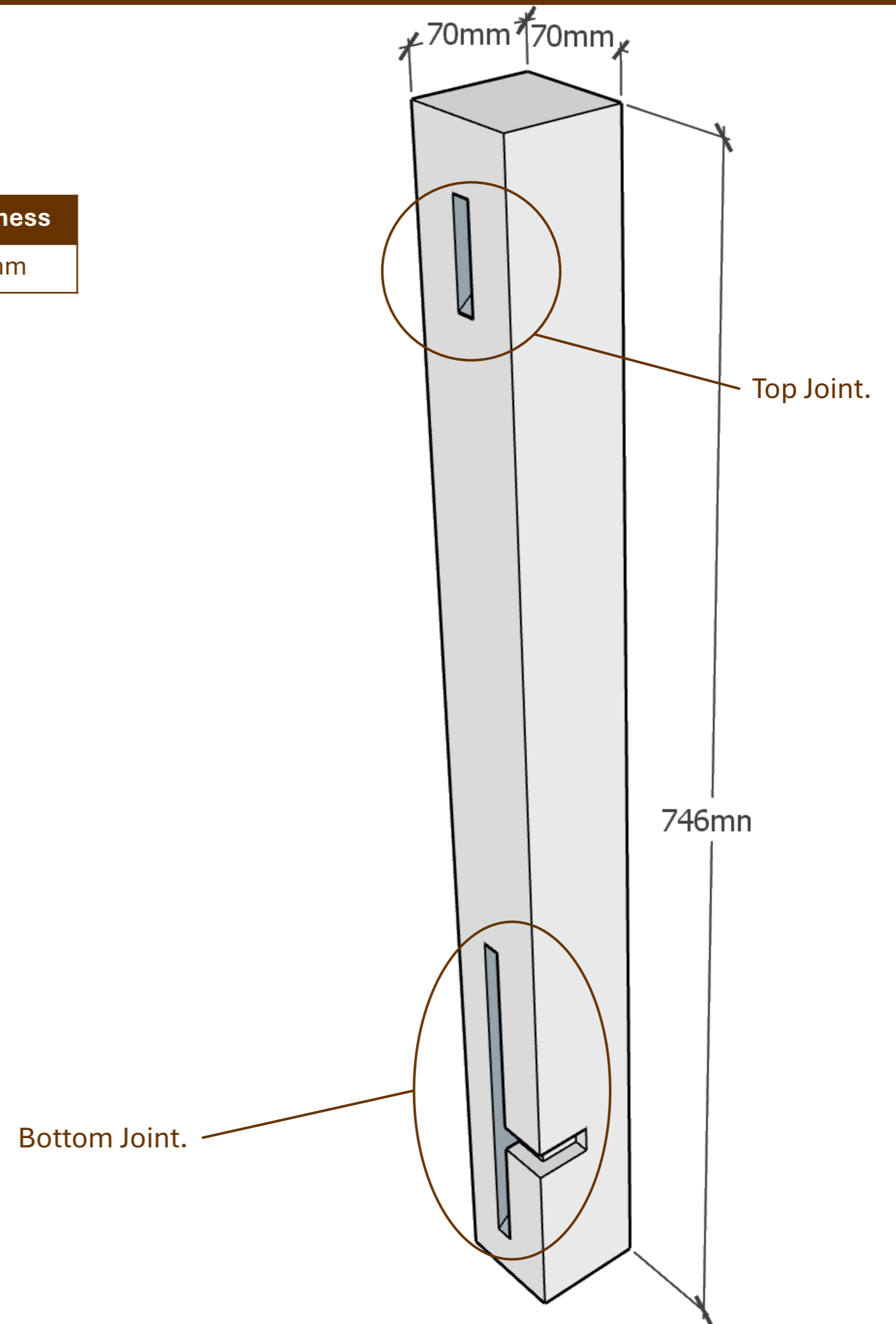


Front Elevation.



Top Newel Post.

Component	Length	Width	Thickness
Newel Post	700mm	70mm	70mm

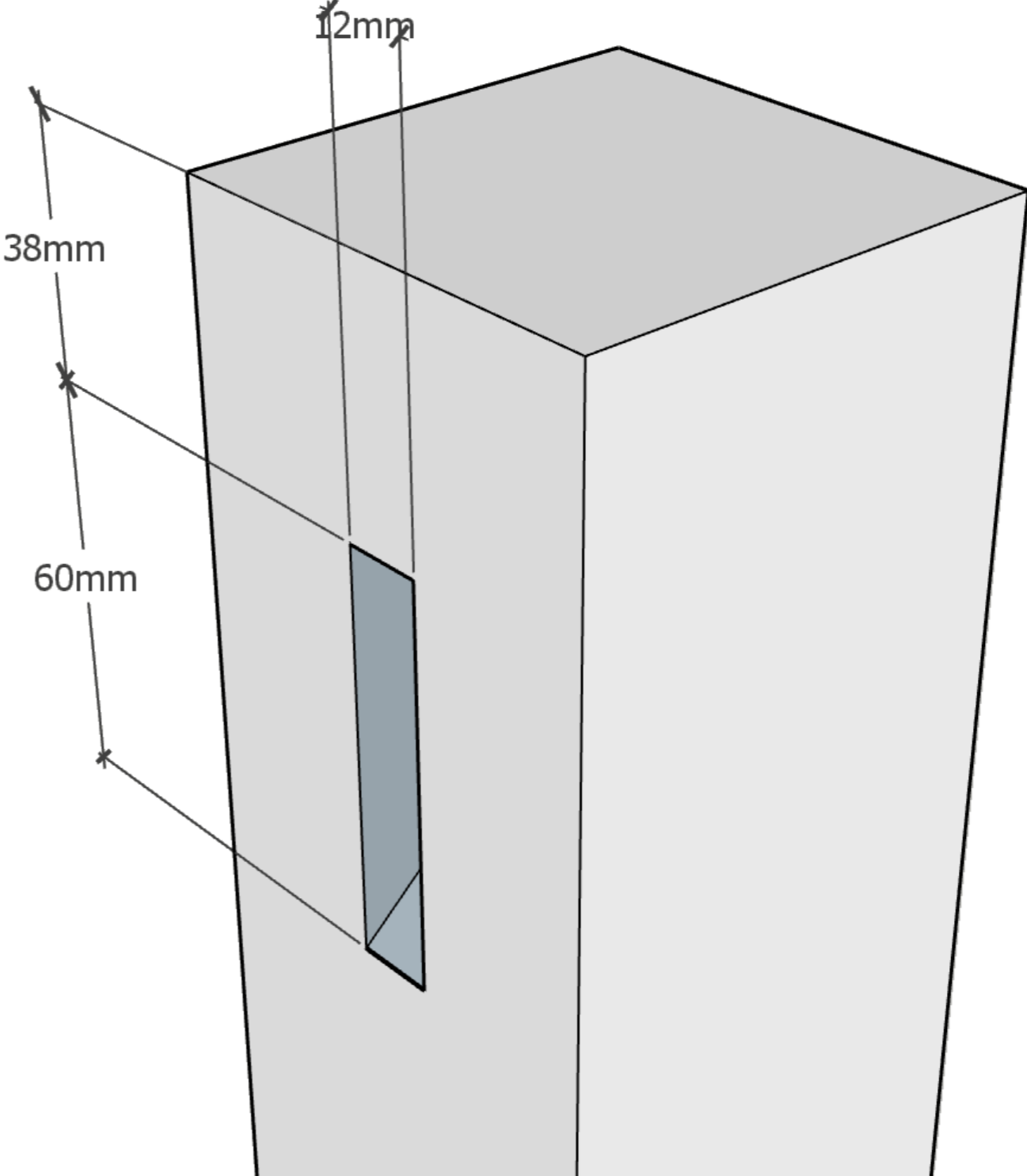
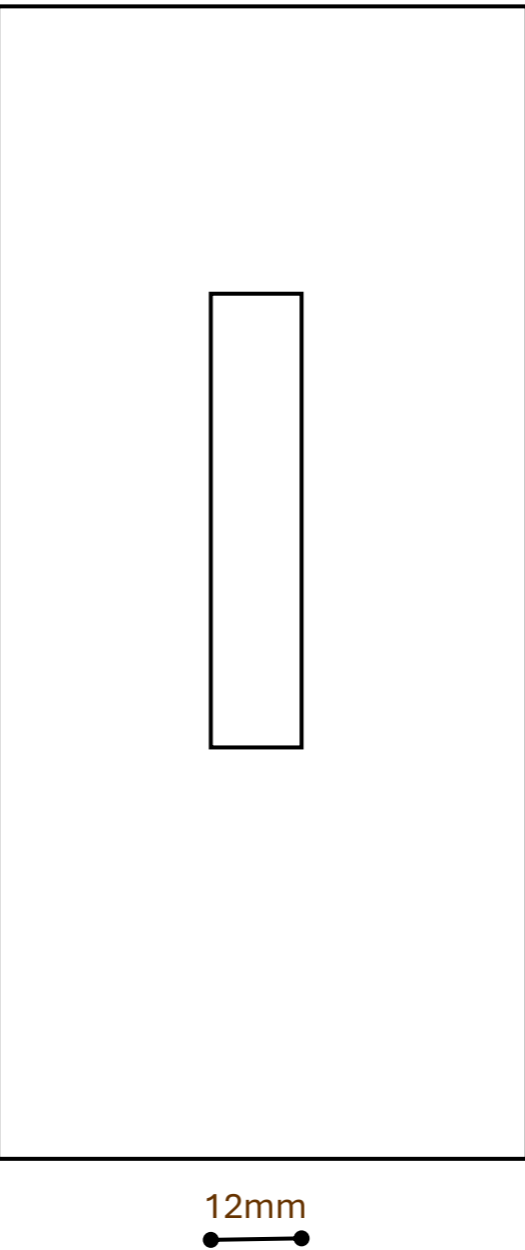
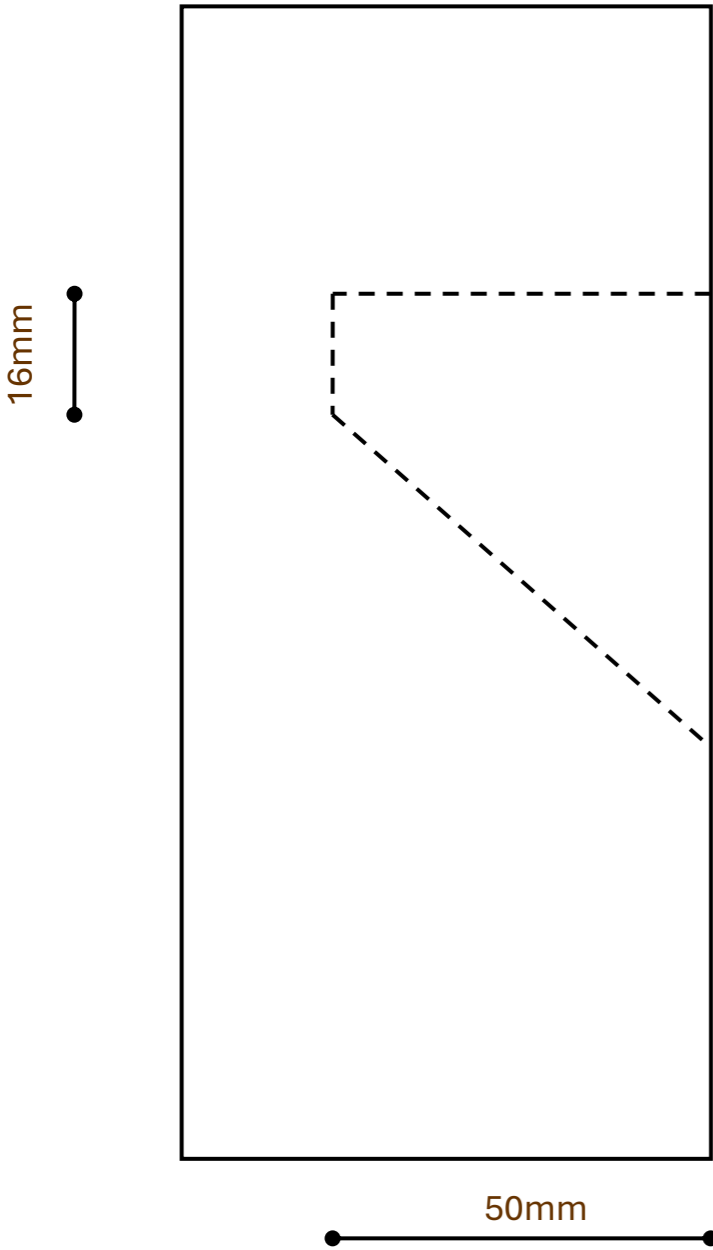


This newel is the Top left side newel, reverse the design for the right side.

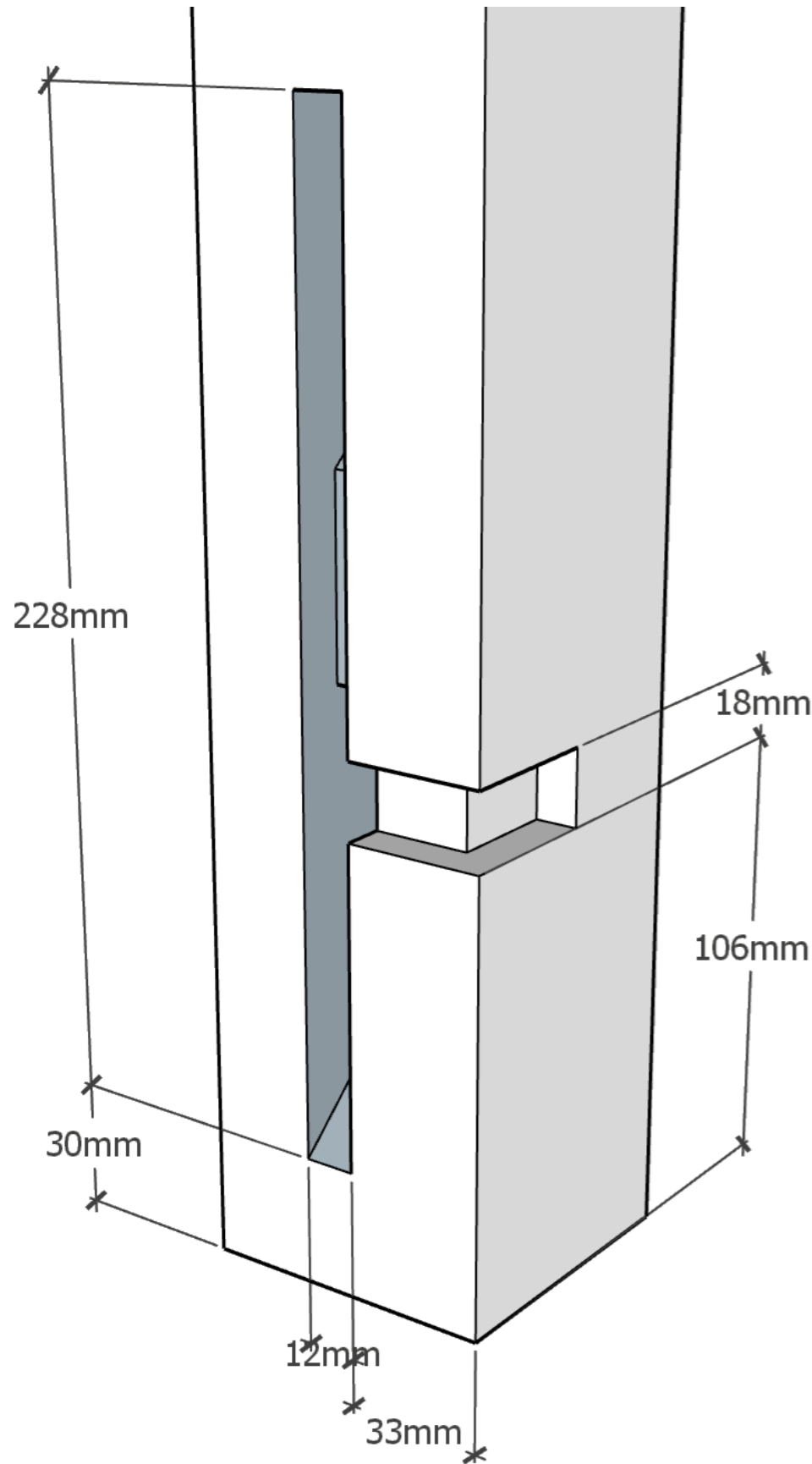
Top Newel Post: Top Joint Details.

Side Elevation.

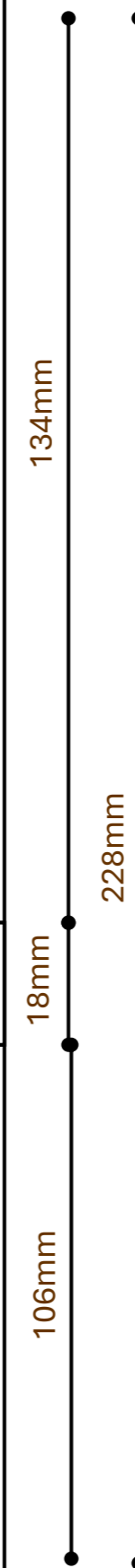
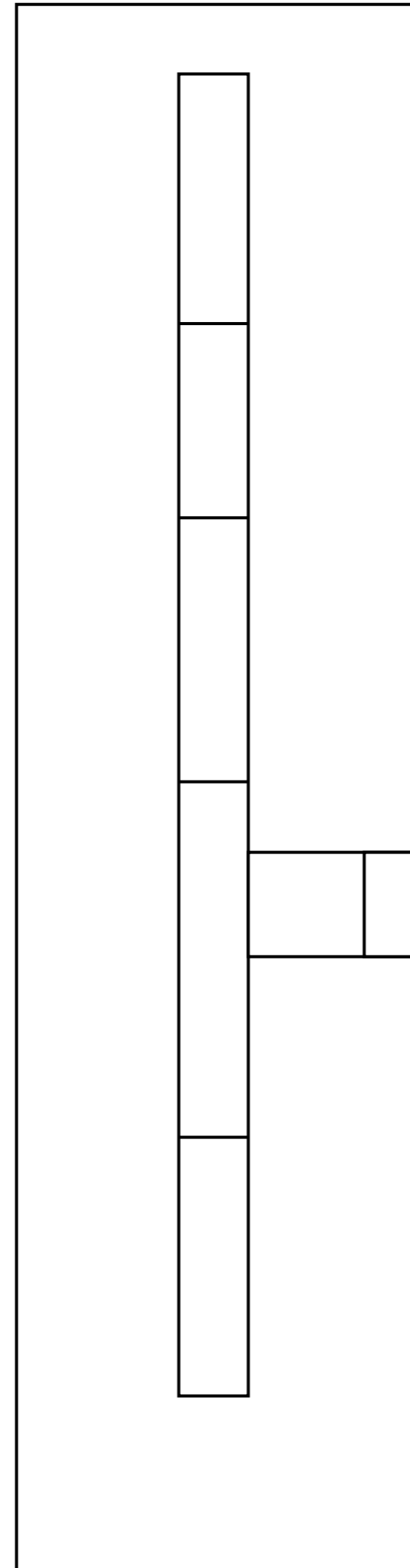
Front Elevation.



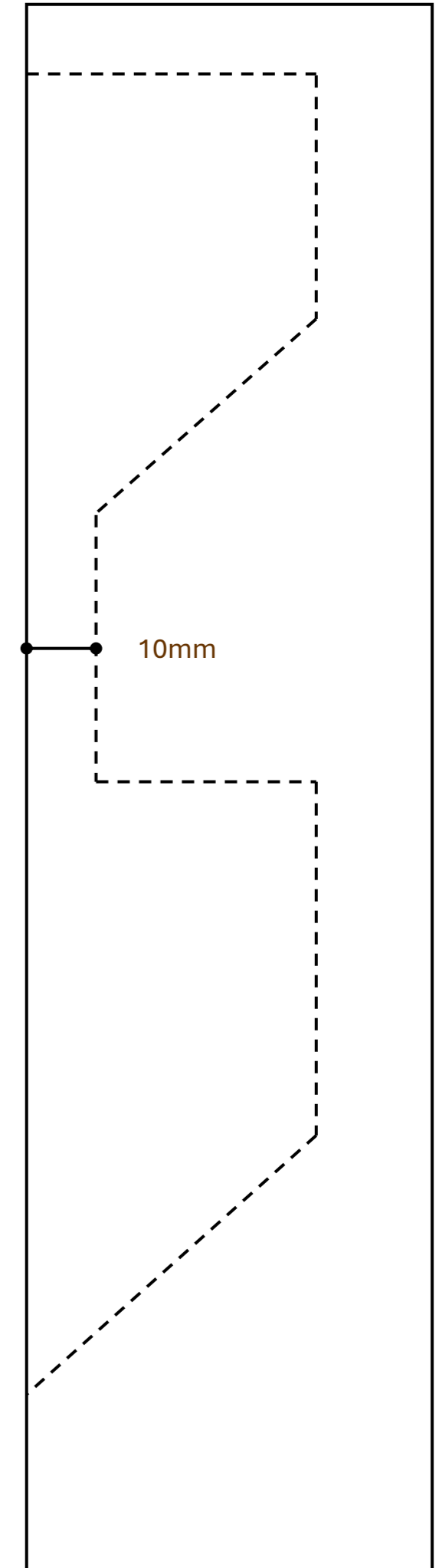
Top Newel Post: Bottom Joint Details.



Front Elevation.



Side Elevation.

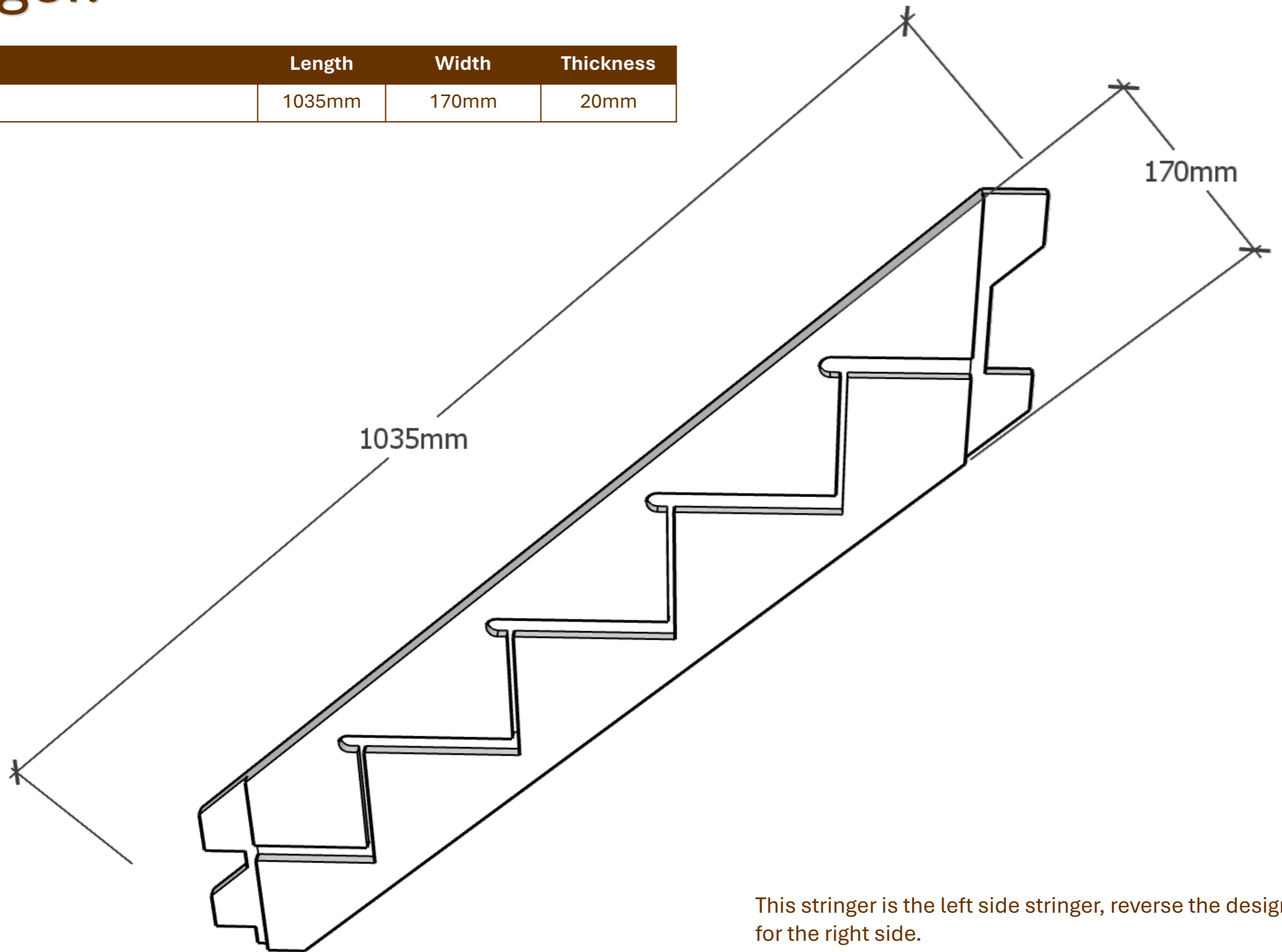


10mm

50mm

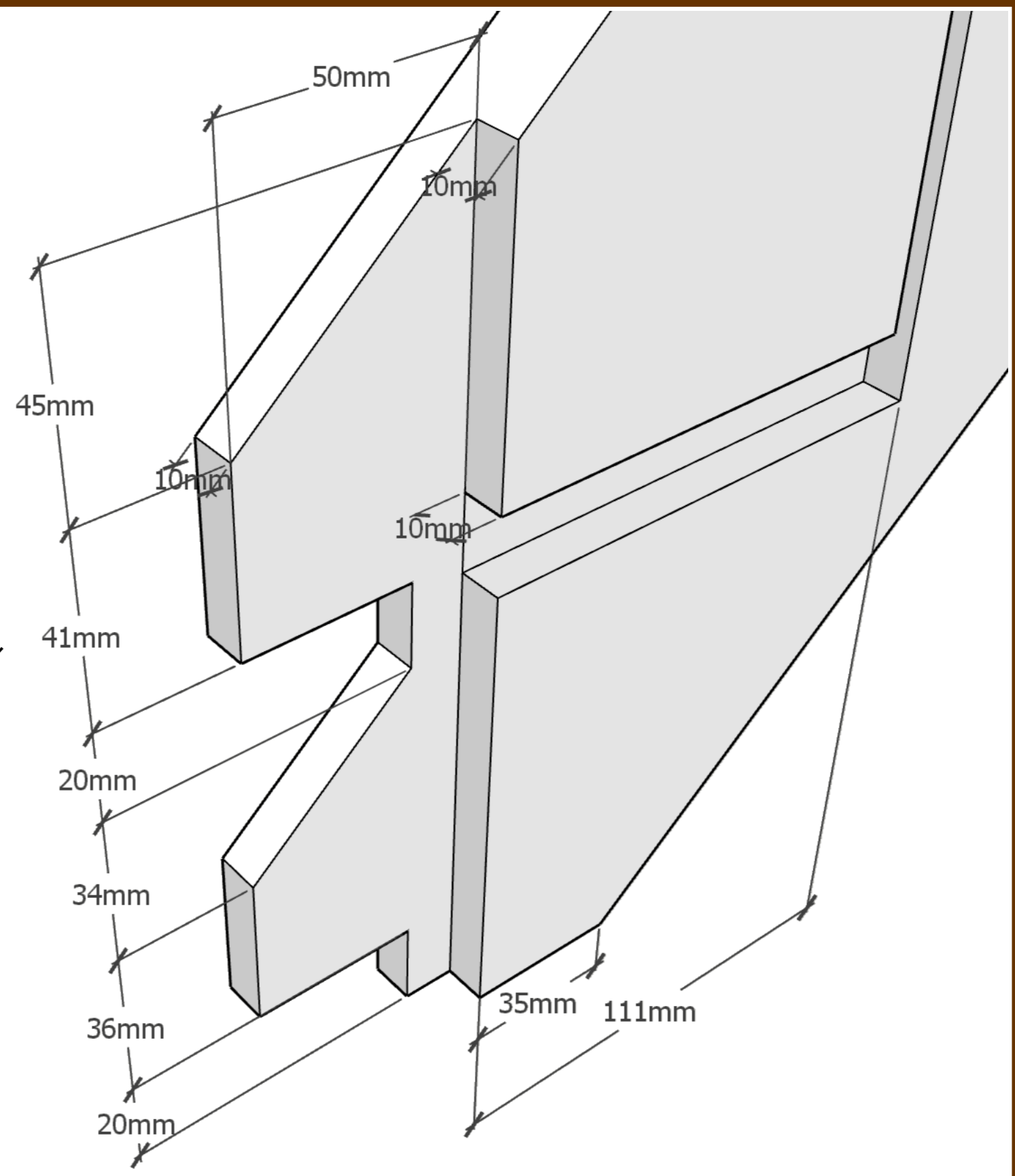
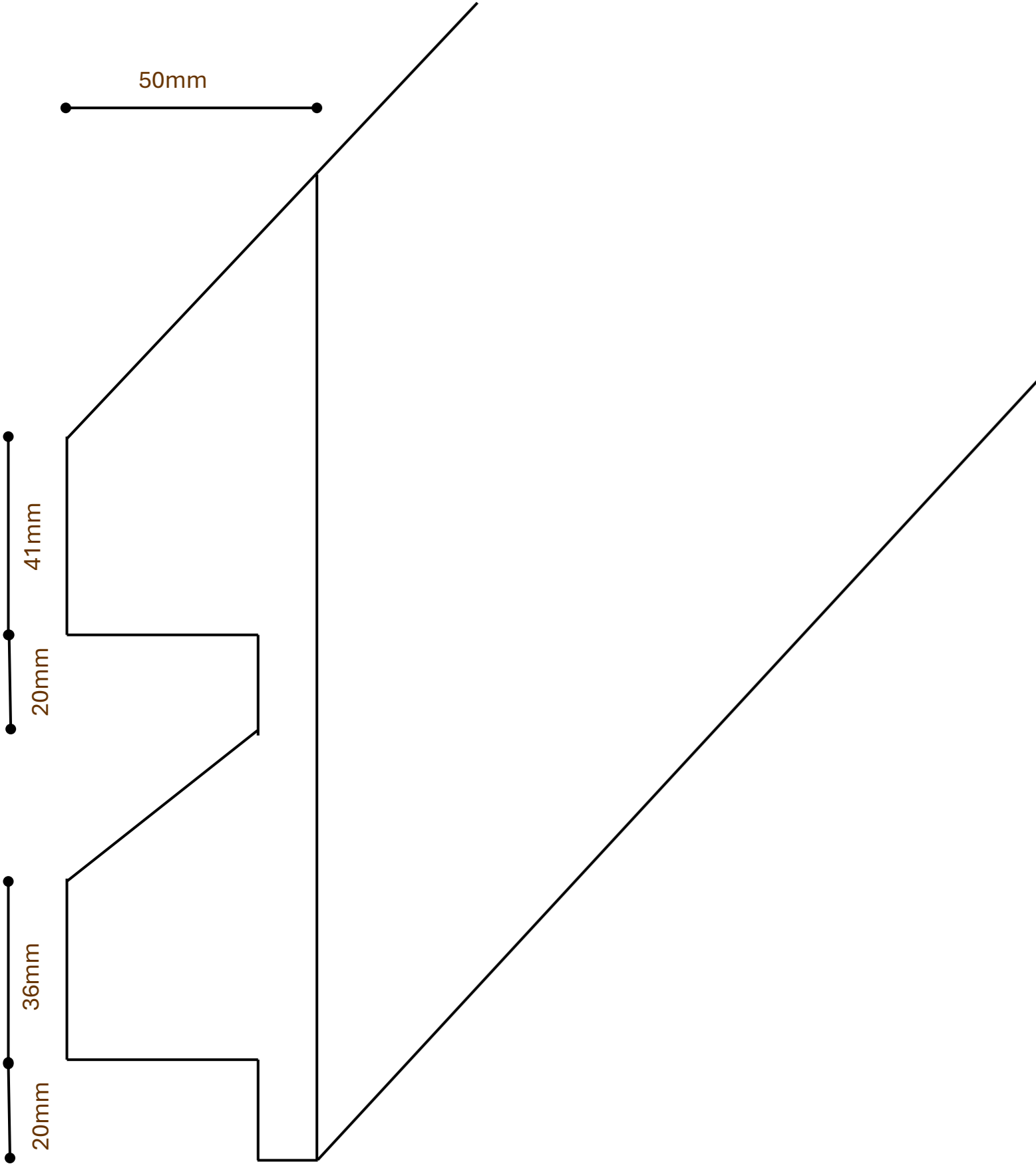
Stringer.

Component	Length	Width	Thickness
Stringer	1035mm	170mm	20mm

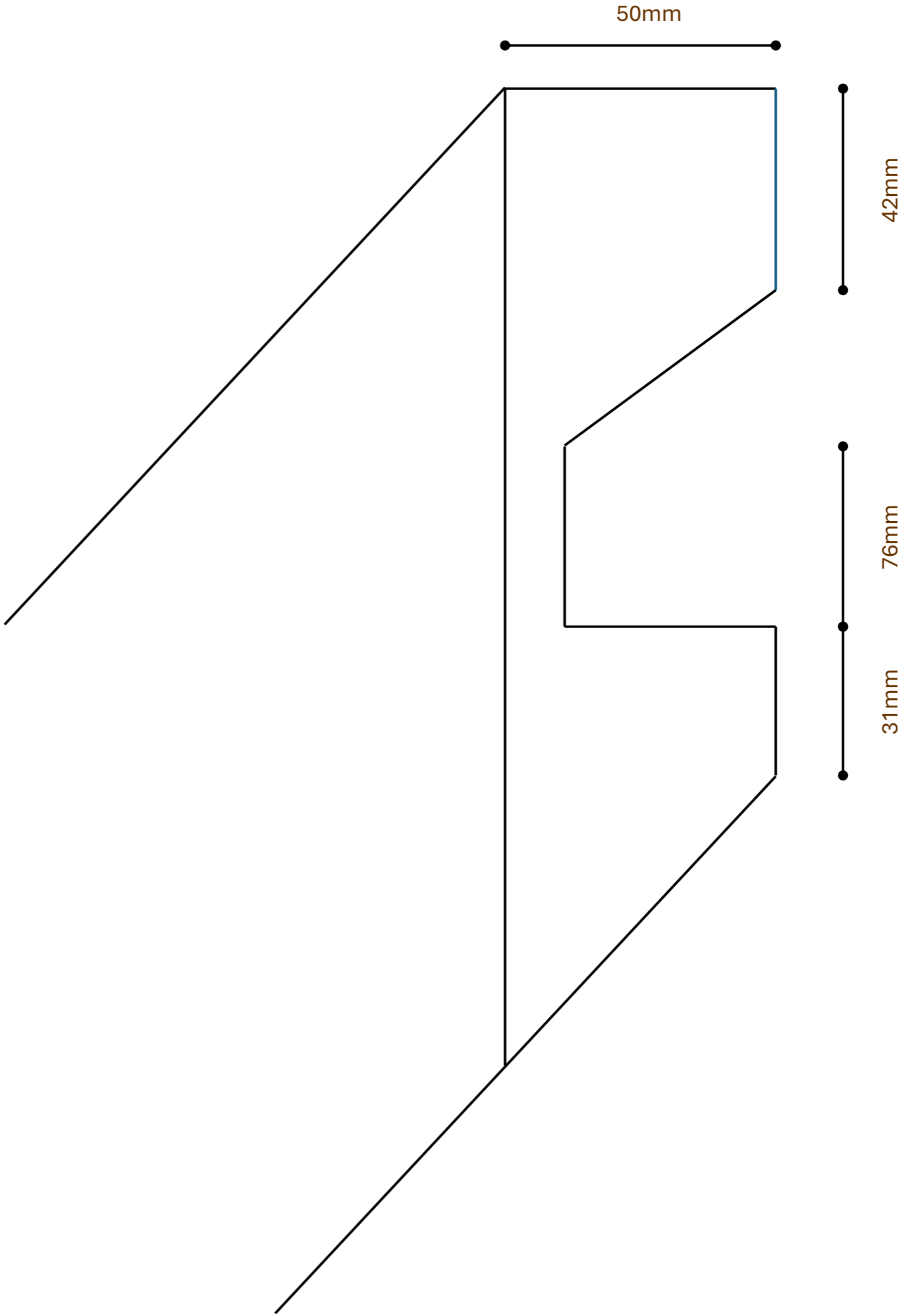
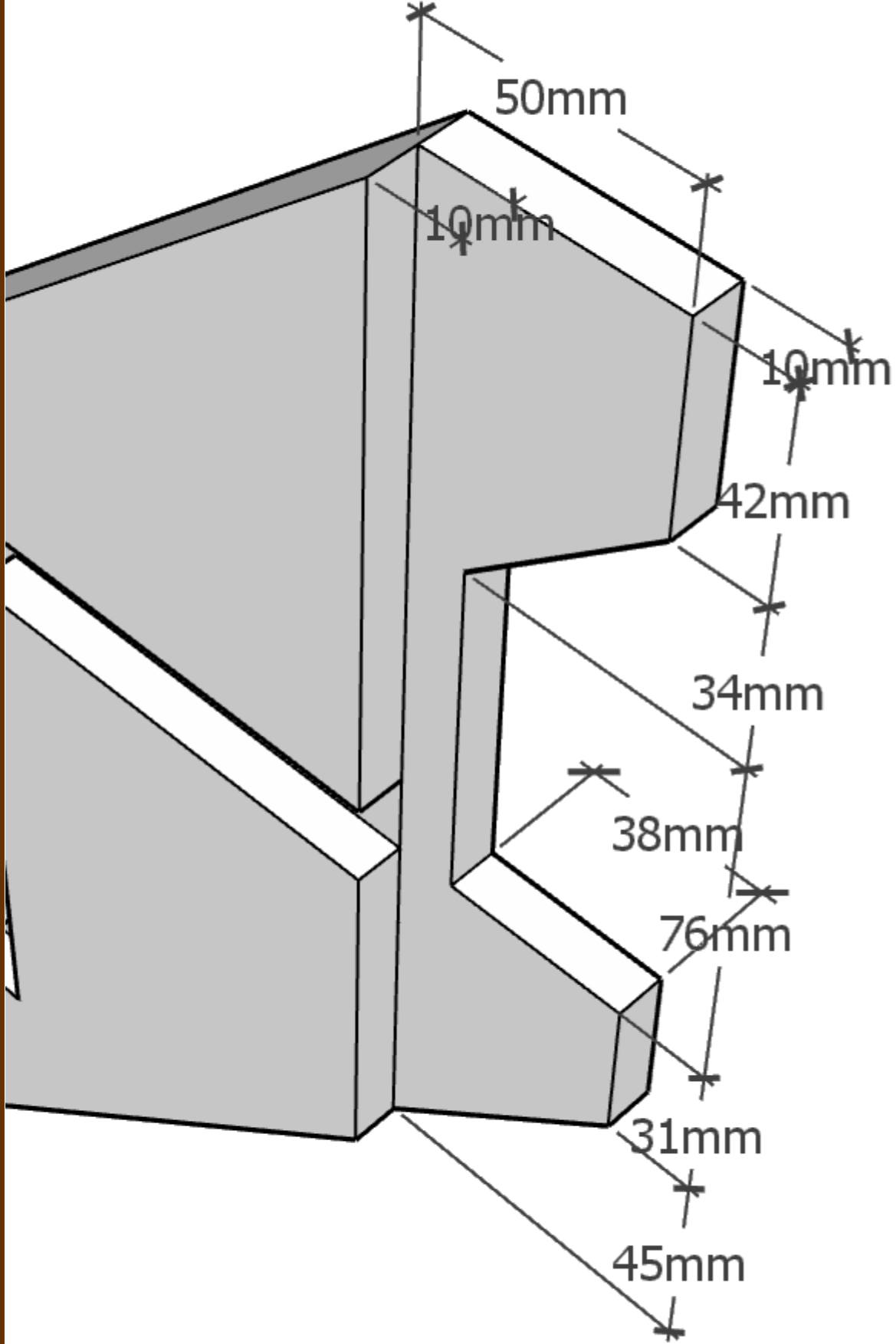


This stringer is the left side stringer, reverse the design for the right side.

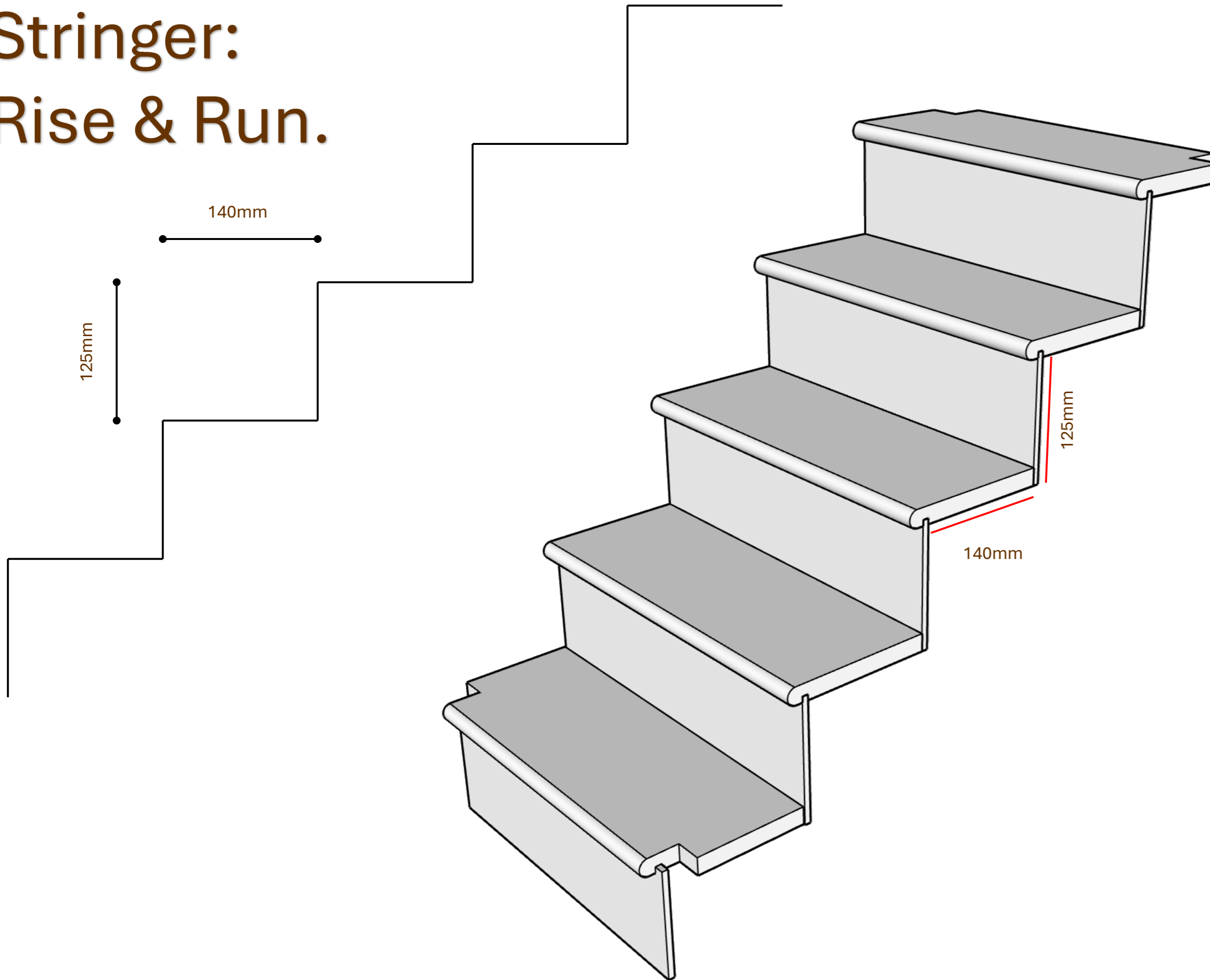
Stringer: Bottom Joint Detail.



Stringer: Top Joint Detail.



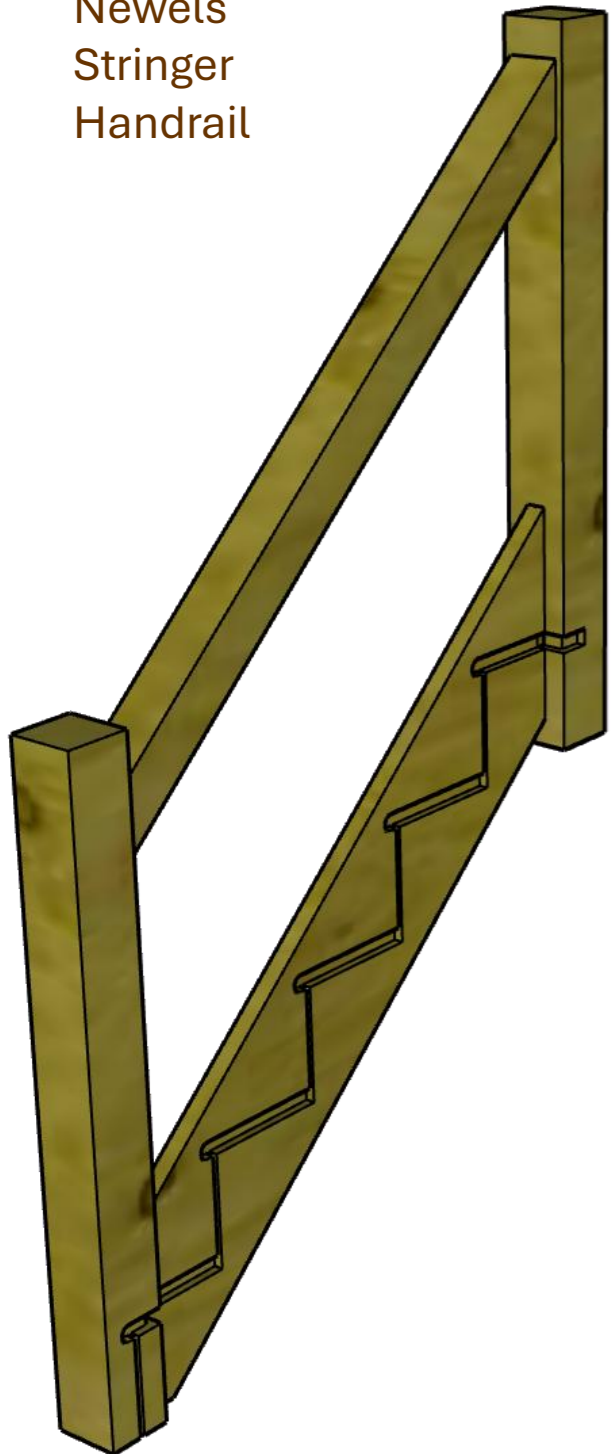
Stringer: Rise & Run.



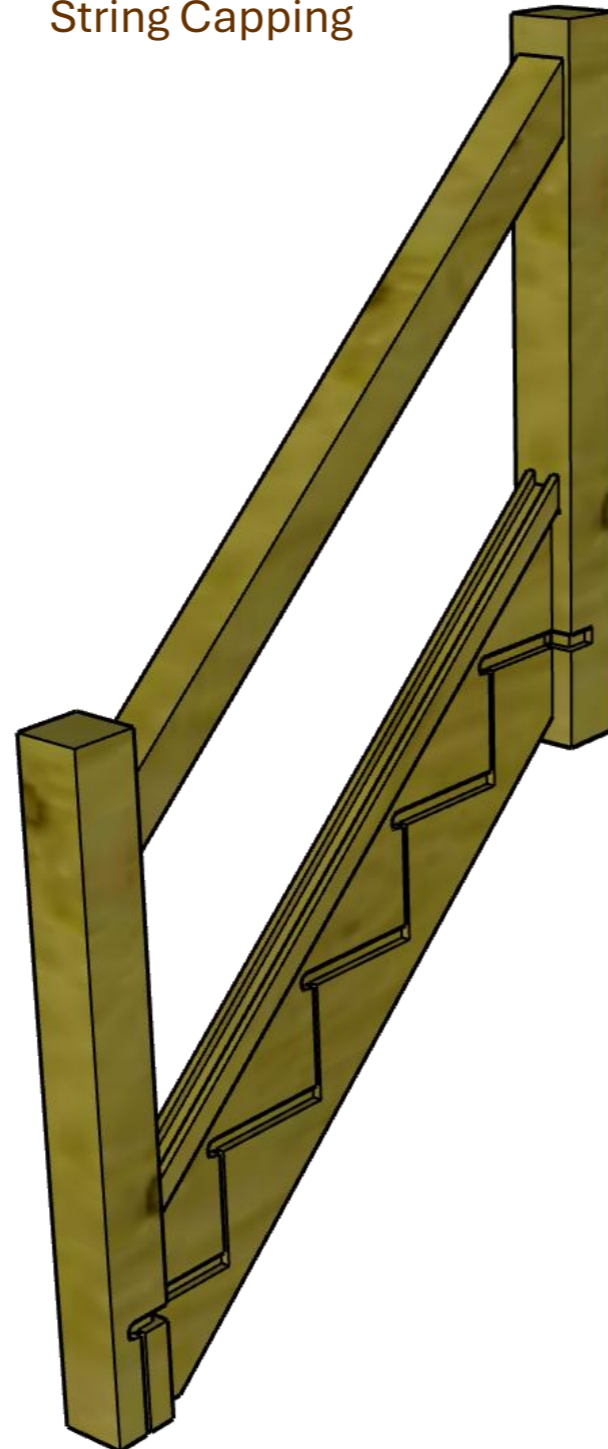
Assembly: 1

Complete the right-hand side
the same.

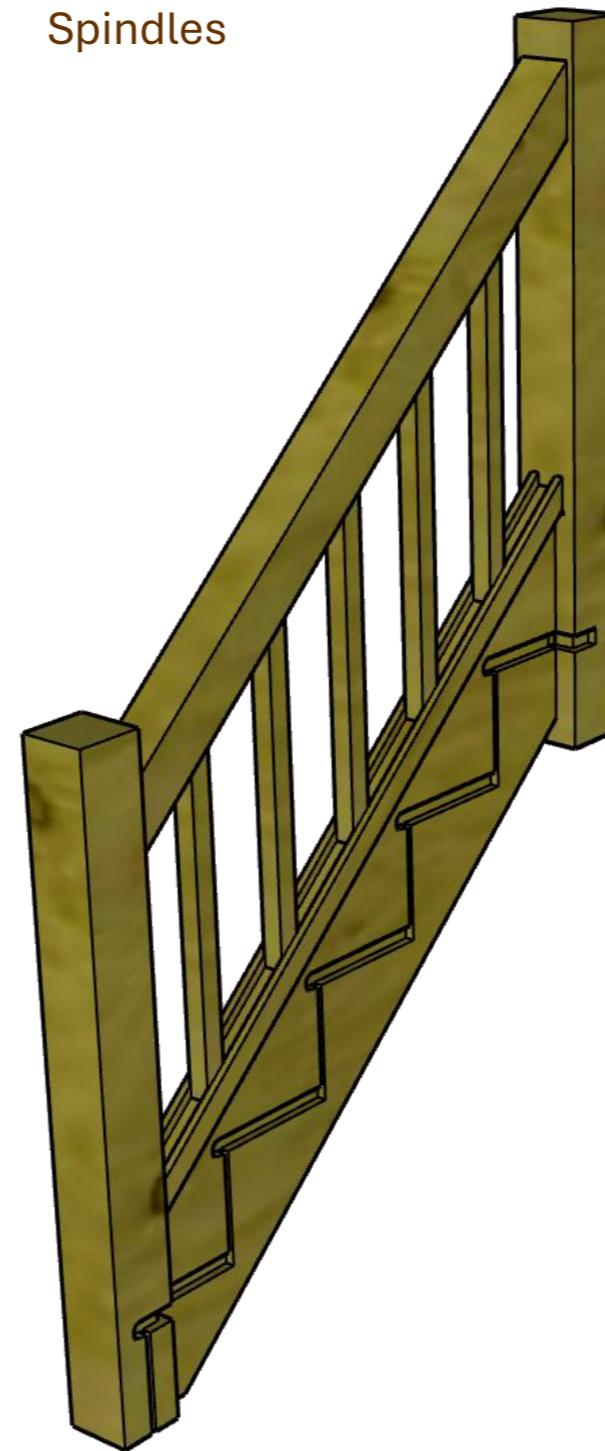
Stage 1.
Newels
Stringer
Handrail



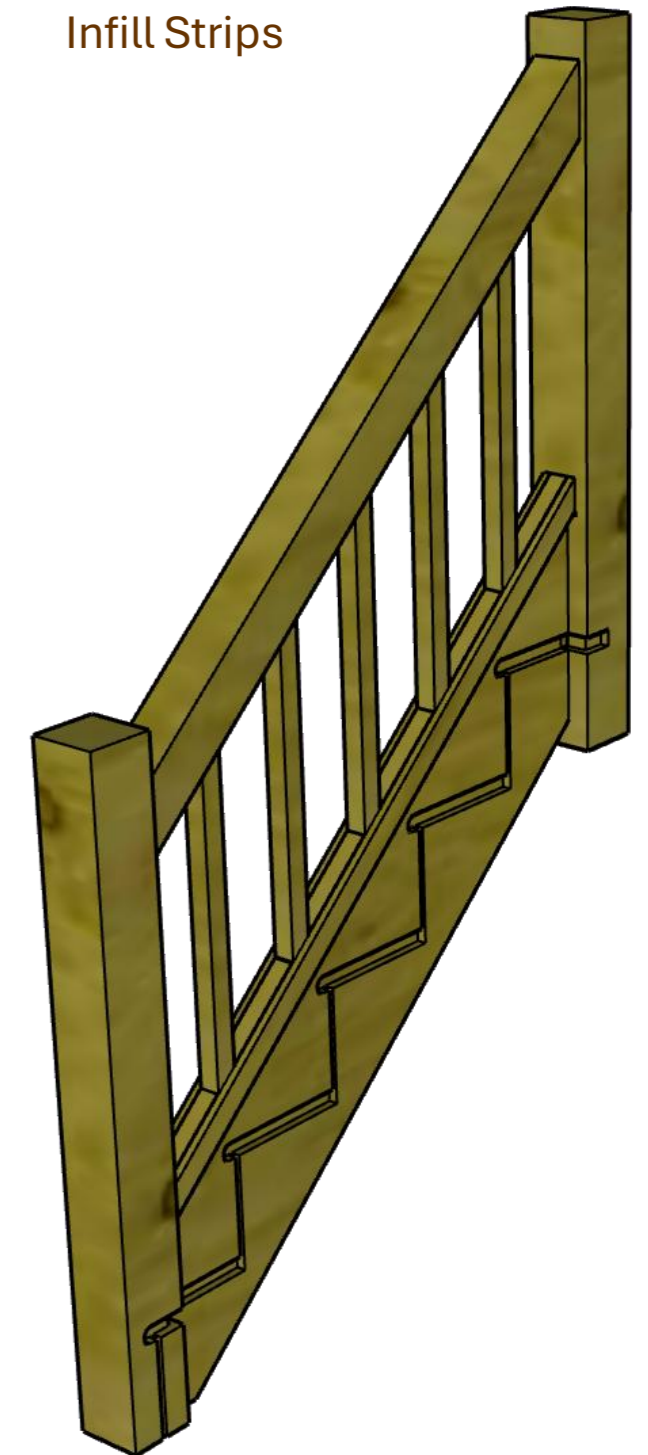
Stage 2.
String Capping



Stage 3.
Spindles

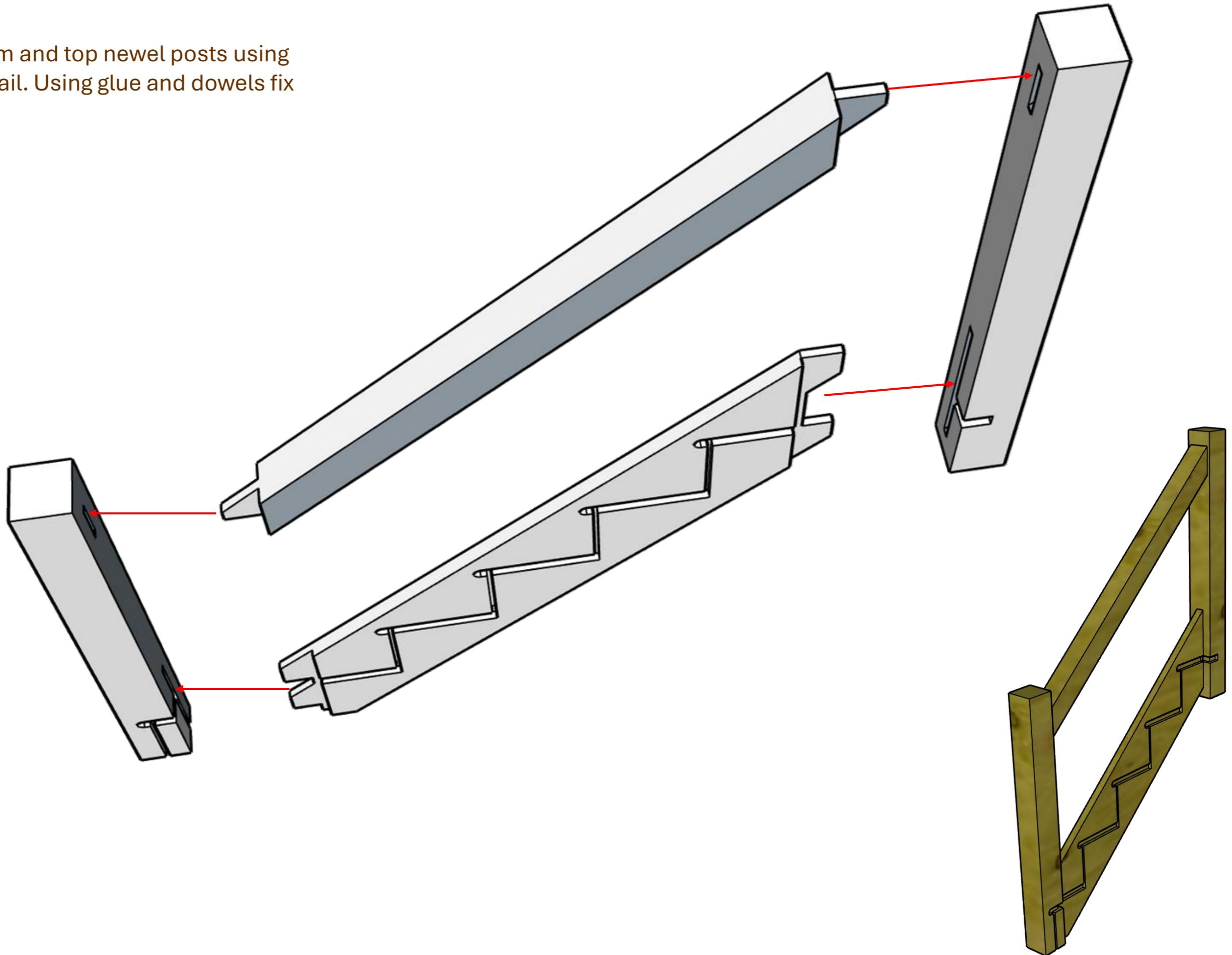


Stage 4.
Infill Strips



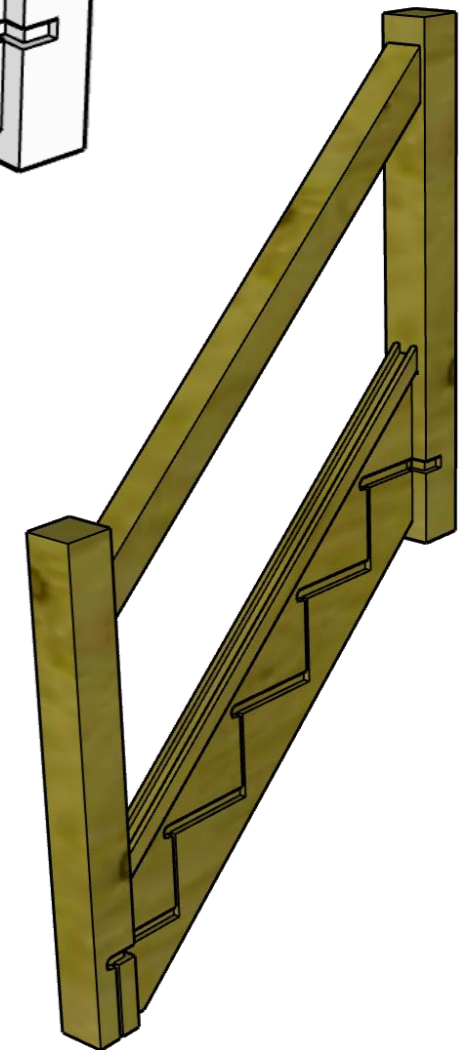
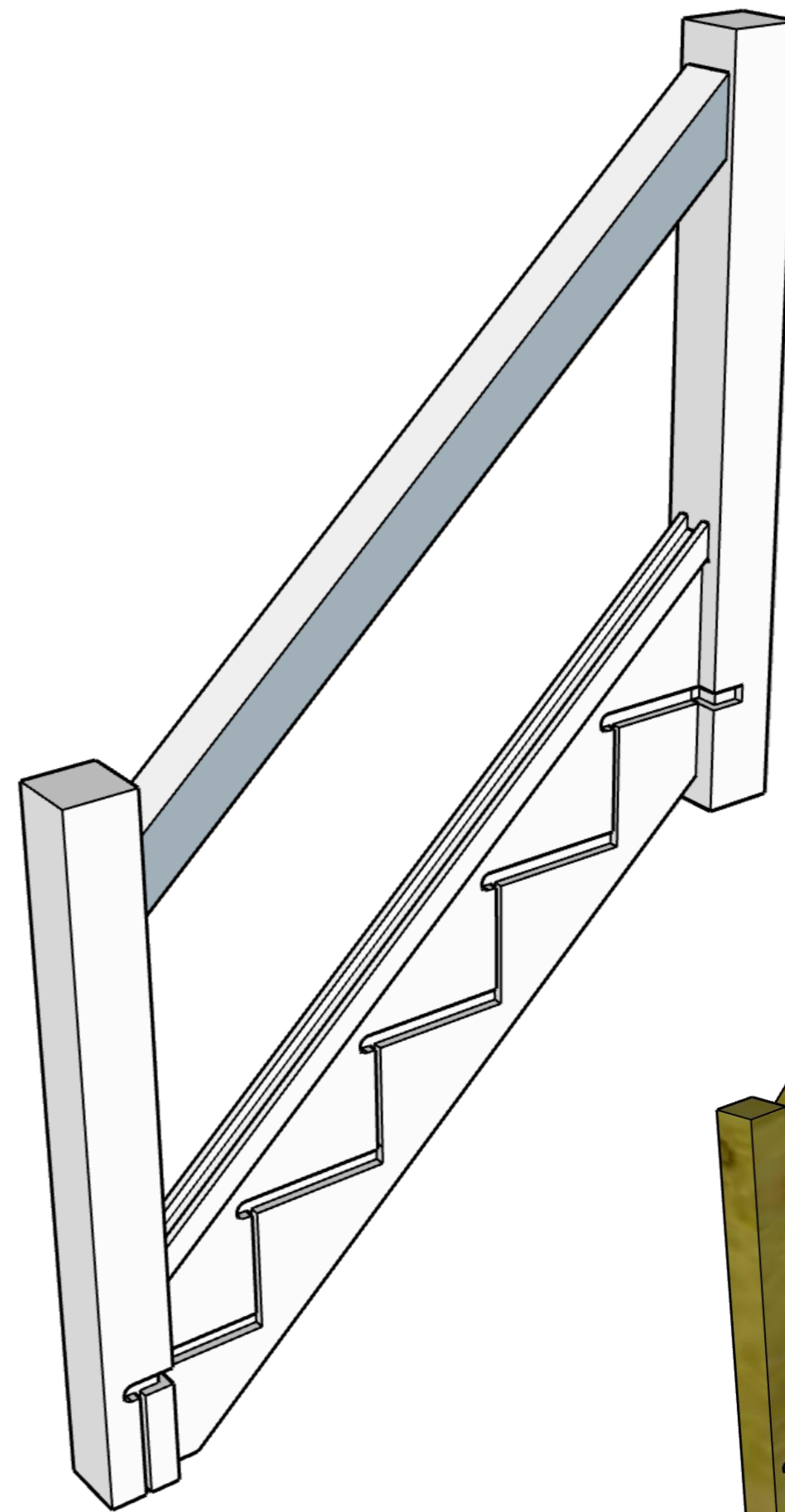
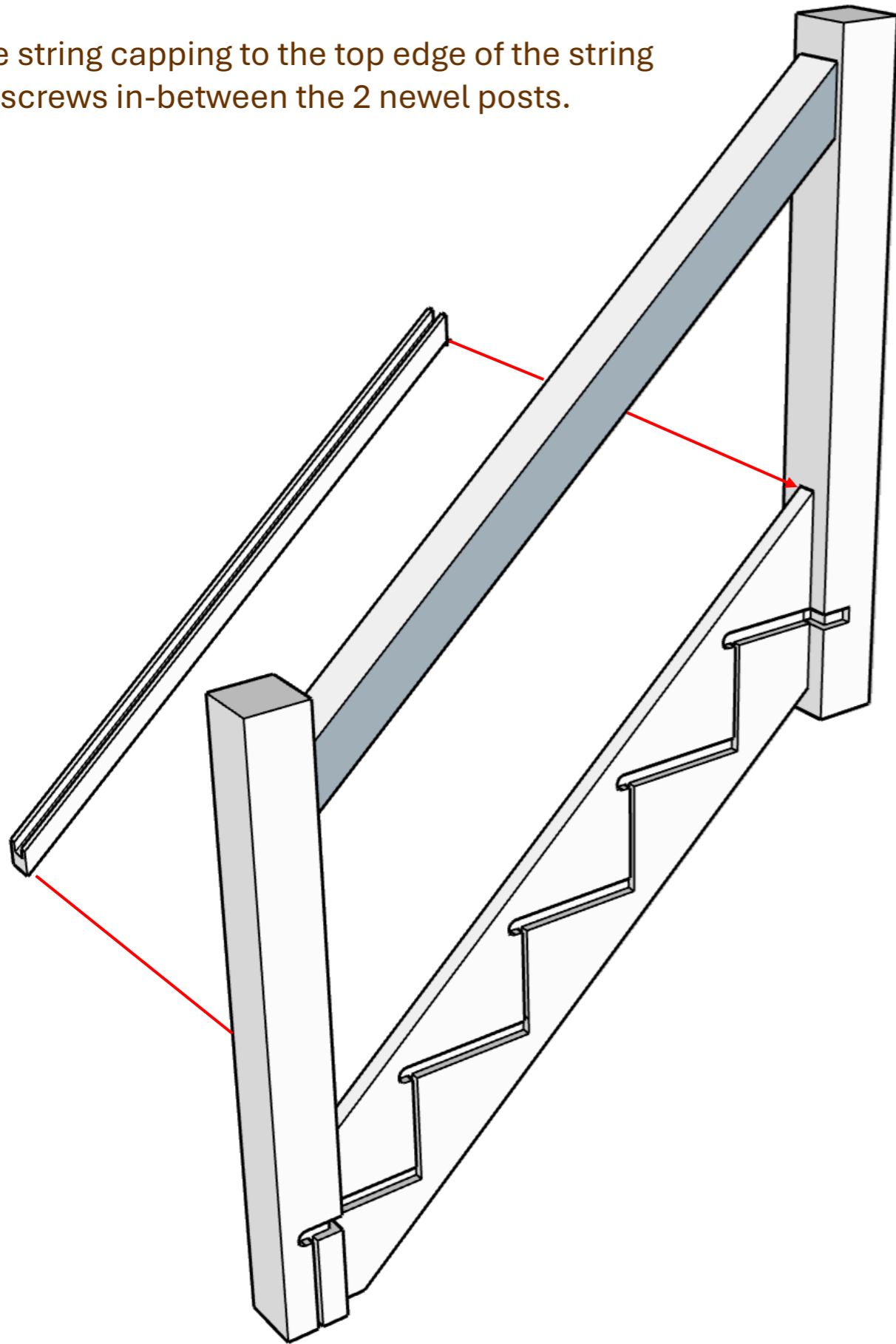
Stage 1.

Connect both bottom and top newel posts using the string and handrail. Using glue and dowels fix in position.



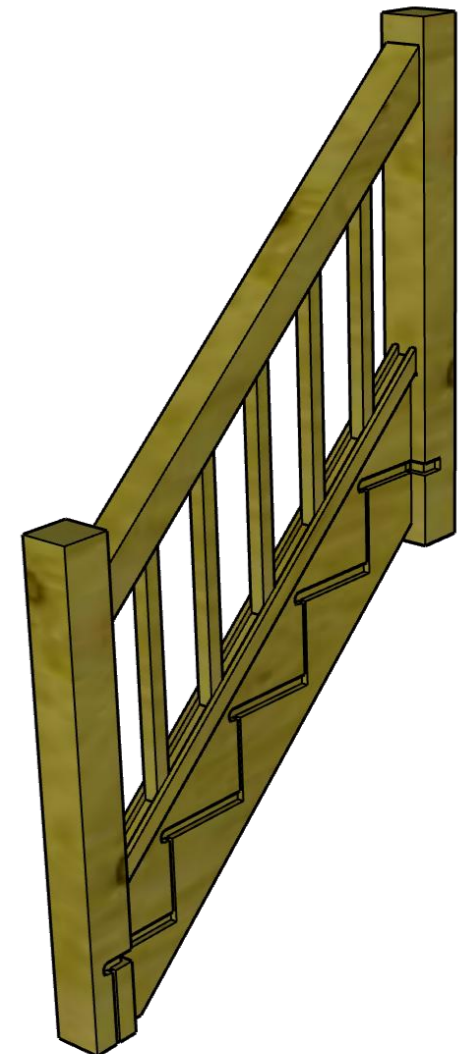
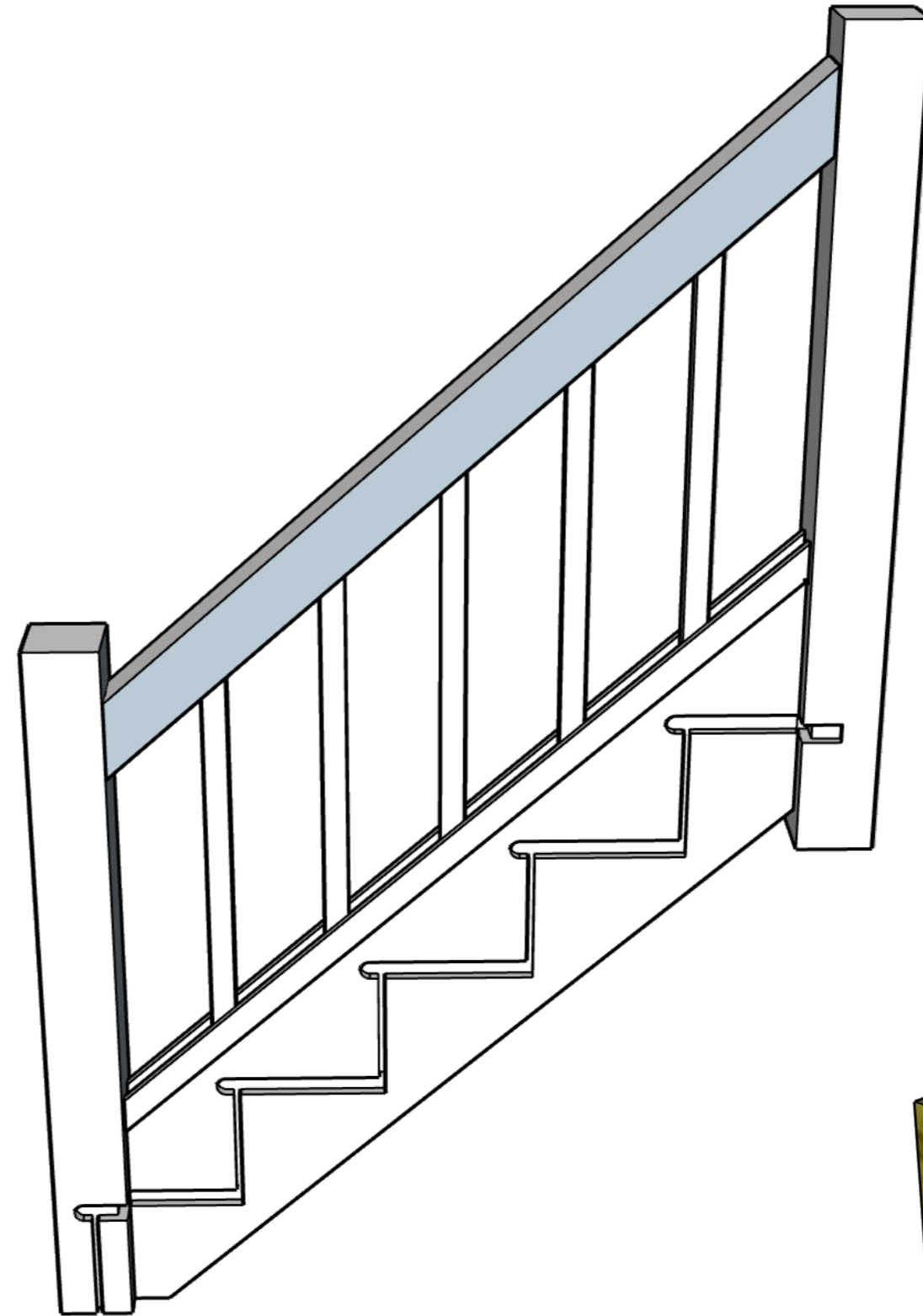
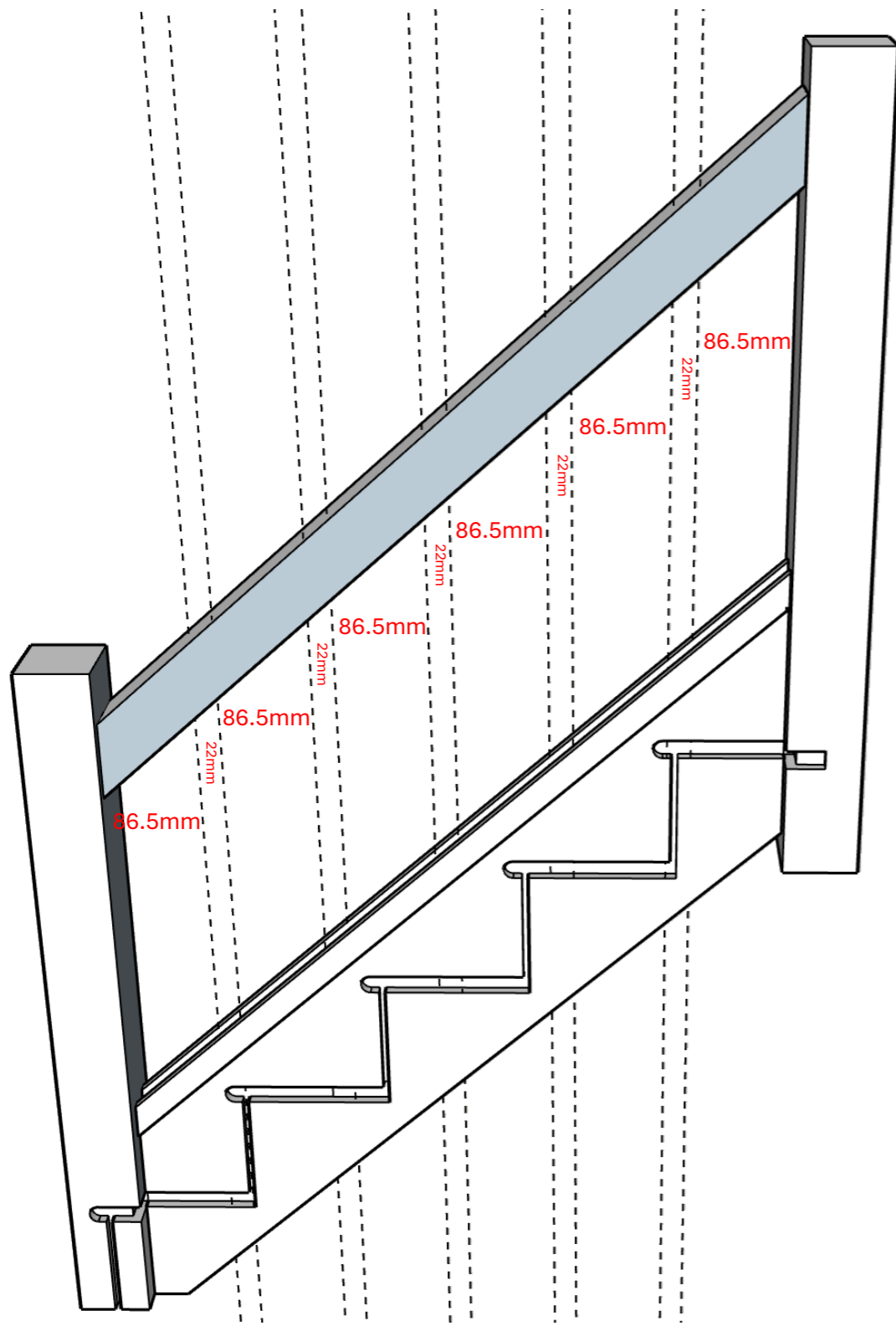
Stage 2.

Fix the string capping to the top edge of the string using screws in-between the 2 newel posts.



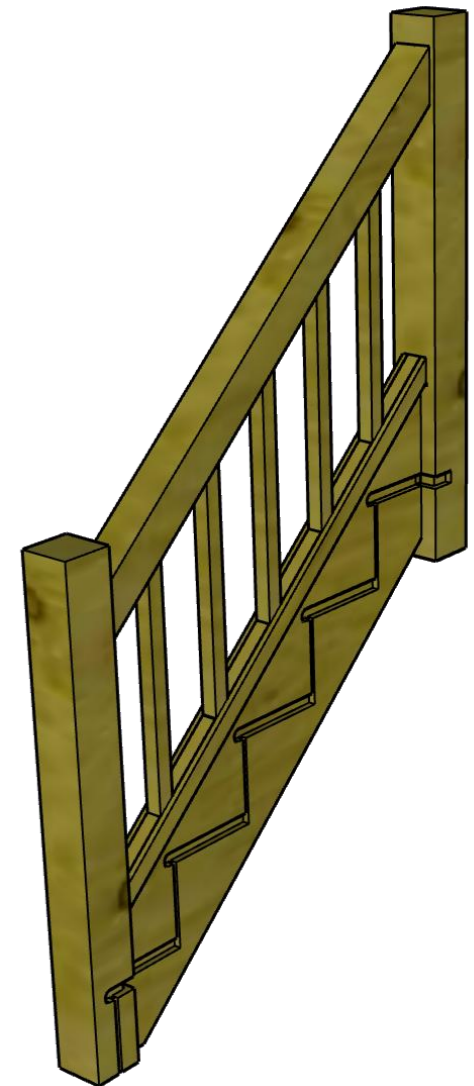
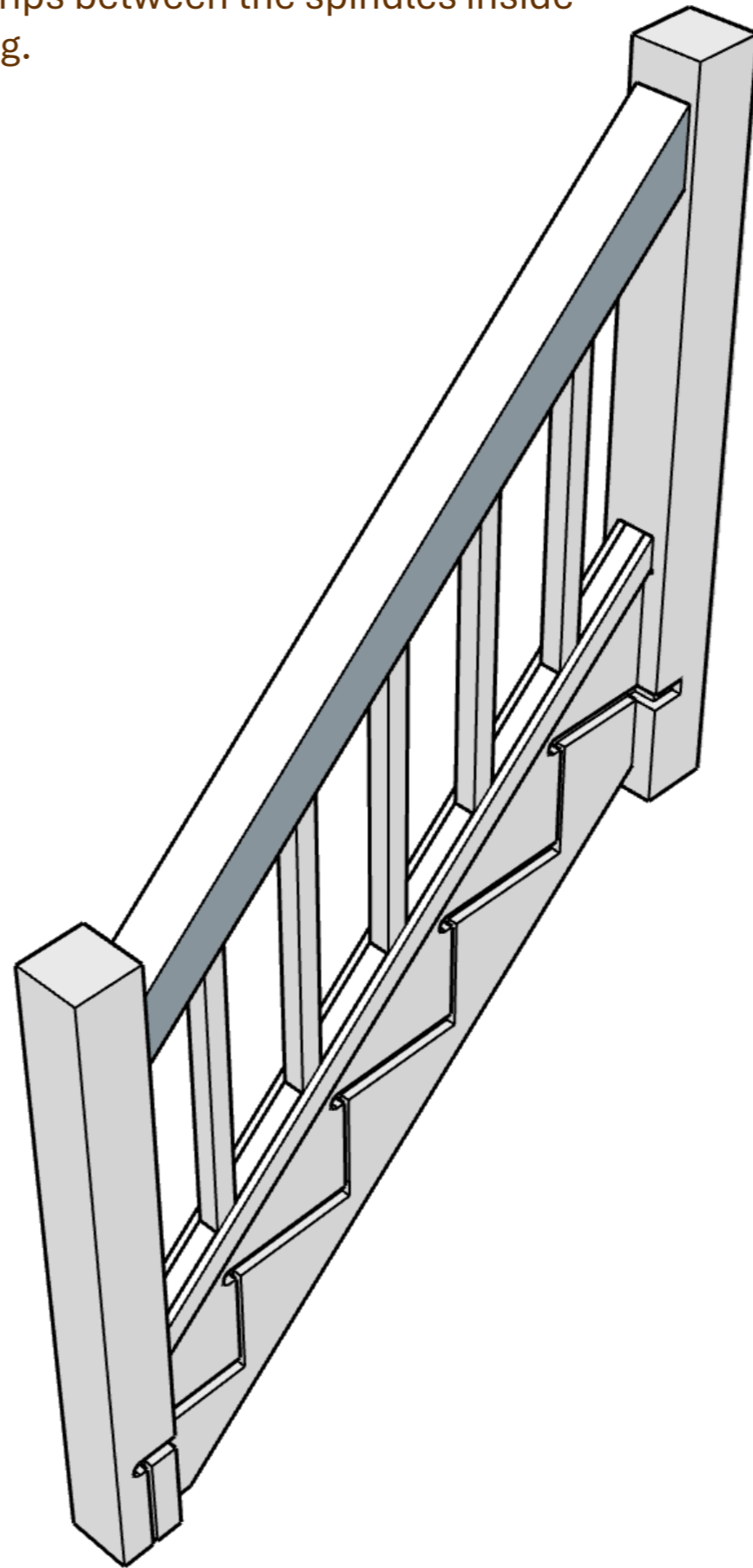
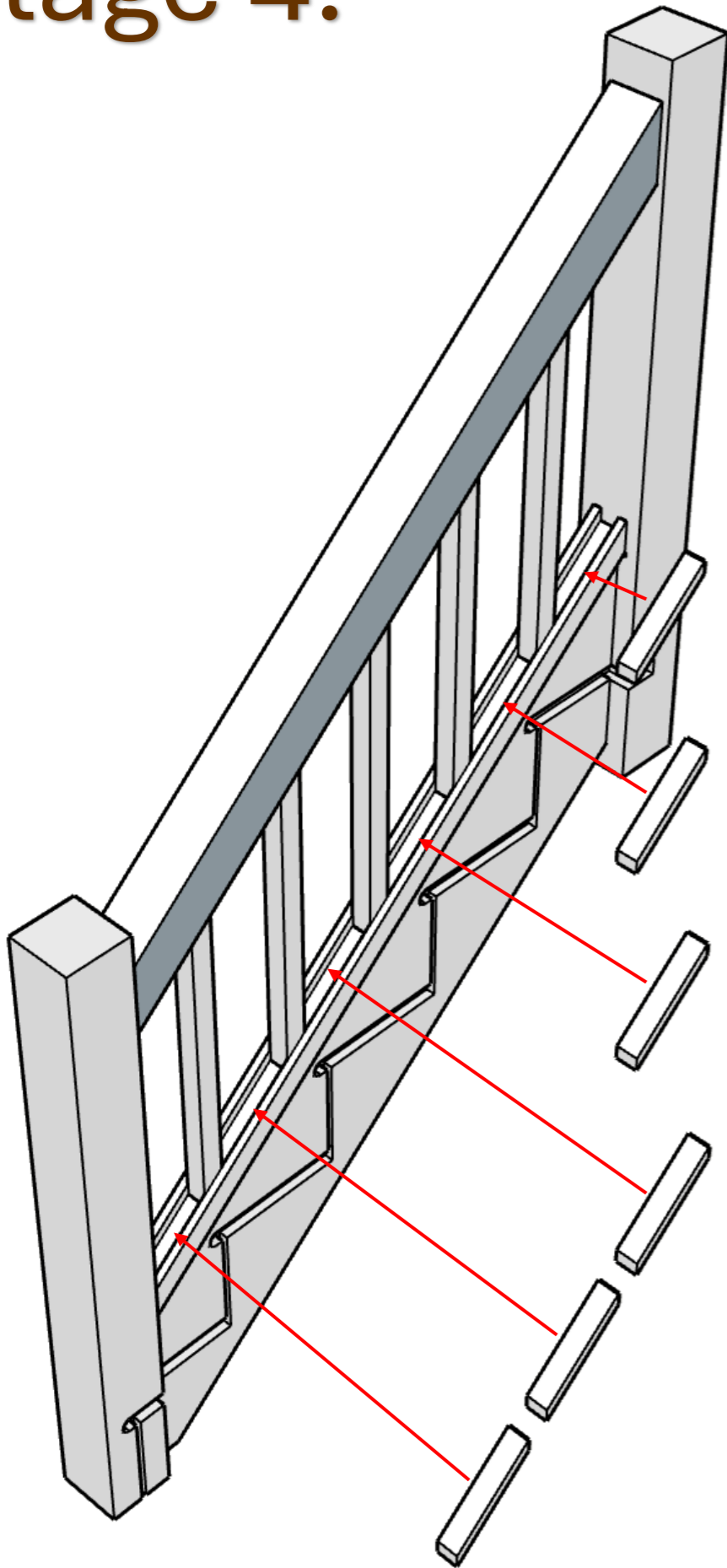
Stage 3.

Cut and space out laterally the spindles adhering to Building Regulations Part K.

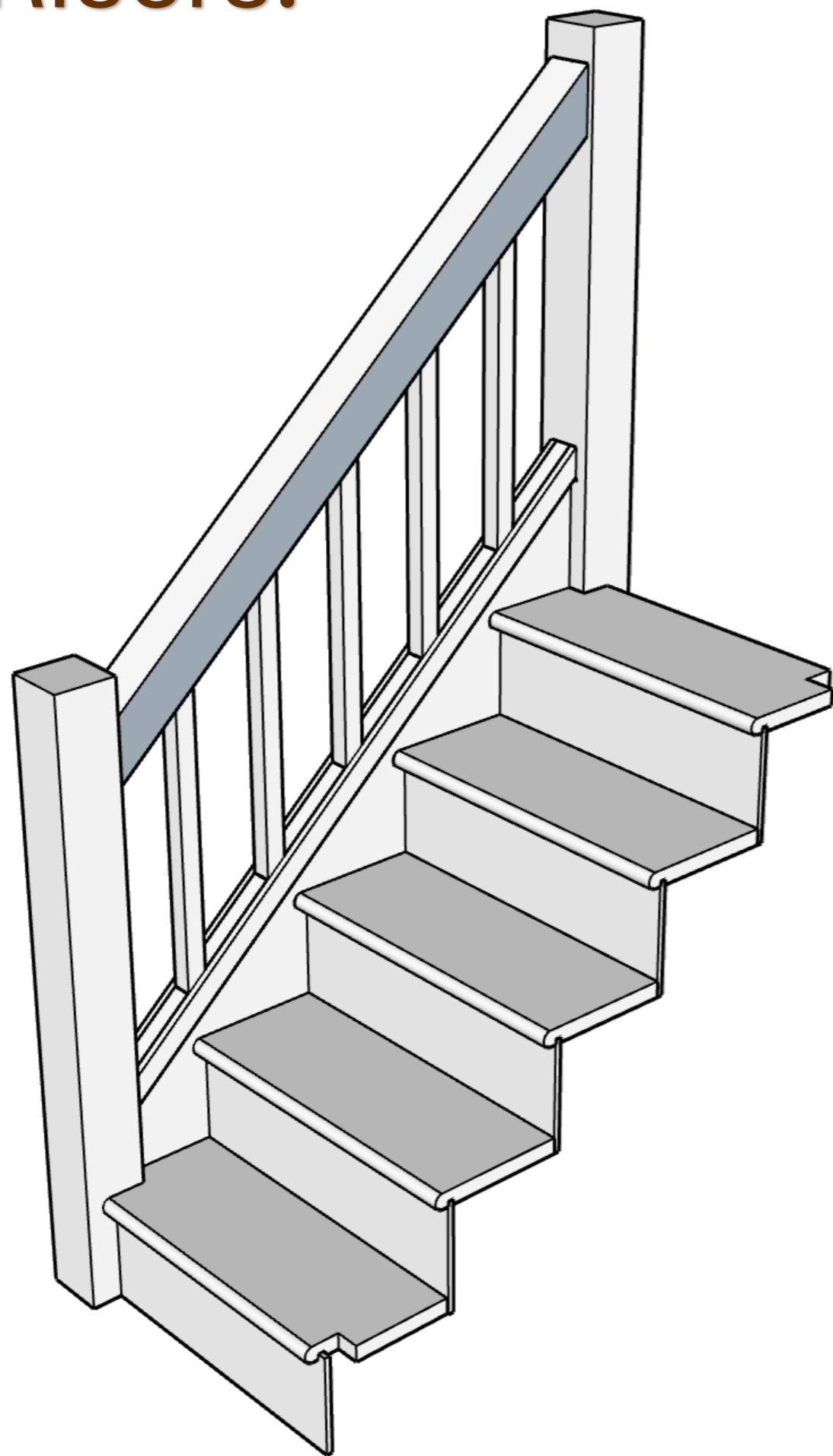


Stage 4.

Insert the infill strips between the spindles inside the string capping.



Treads & Risers.



Complete Assembly.

